

EV95 EXTRACTOR VENTILATOR



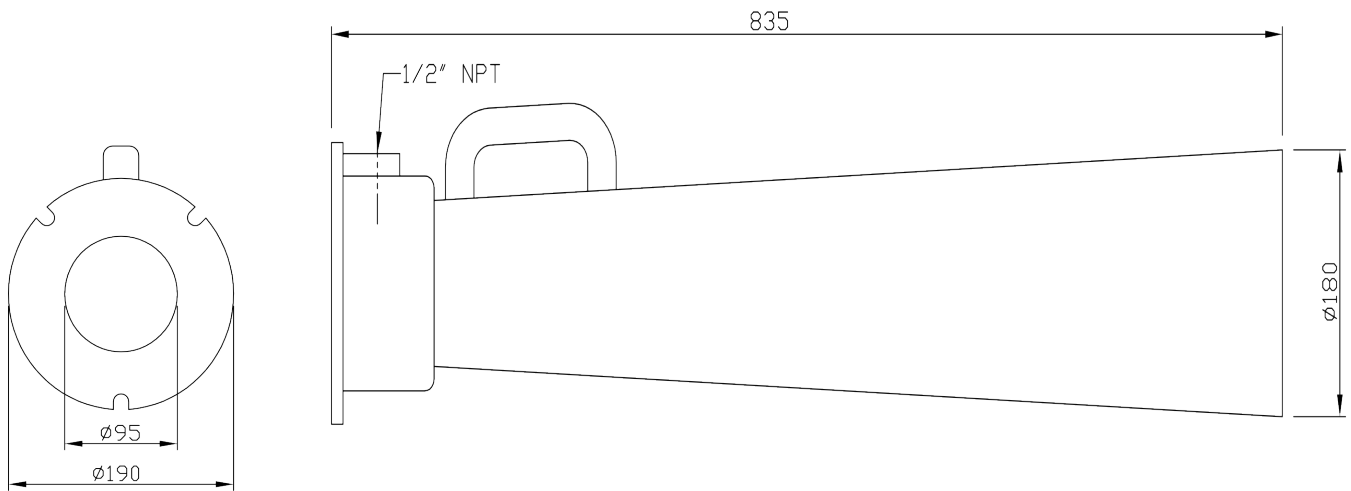
Material: Aluminium/Polyethylene

Weight: 3.0 Kg

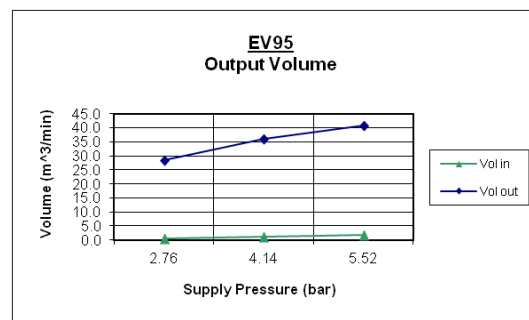
dB(A) at: 5.5 bar is 92

Standard Inlet Threads: ½ NPT

Flange: API 3" / 76.2mm



Press in bar	Vol in m ³ /min	Vol out m ³ /min
2.76	0.622	28.345
4.14	1.132	36.132
5.52	1.642	40.747



EV95S EXTRACTOR VENTILATOR



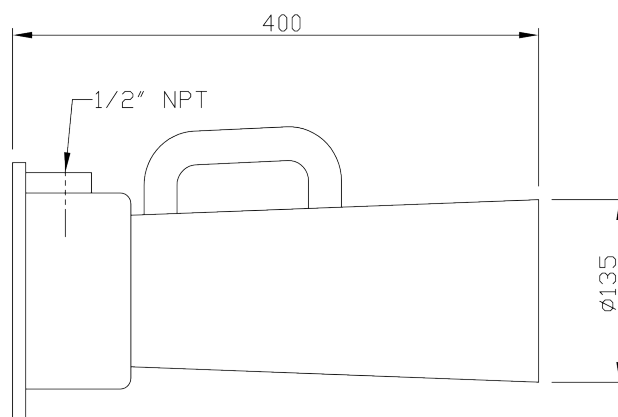
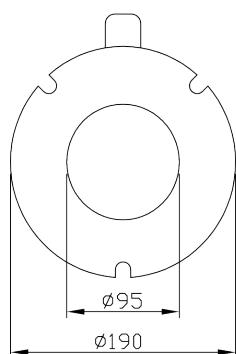
Material: Aluminium/Polyethylene

Weight: 2.0 Kg

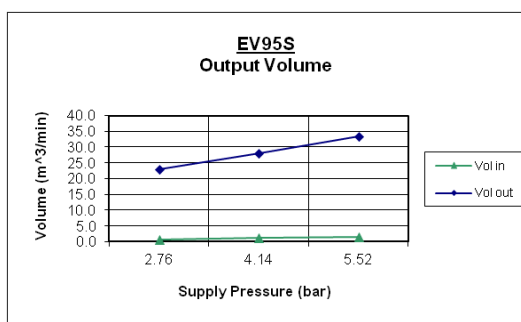
dB(A) at: 5.5 bar is 92

Standard Inlet Threads: ½ NPT

Flange: API 3" / 76.2mm



Press in bar	Vol in m ³ /min	Vol out m ³ /min
2.76	0.622	22.936
4.14	1.132	27.977
5.52	1.642	33.413



EV150 EXTRACTOR VENTILATOR



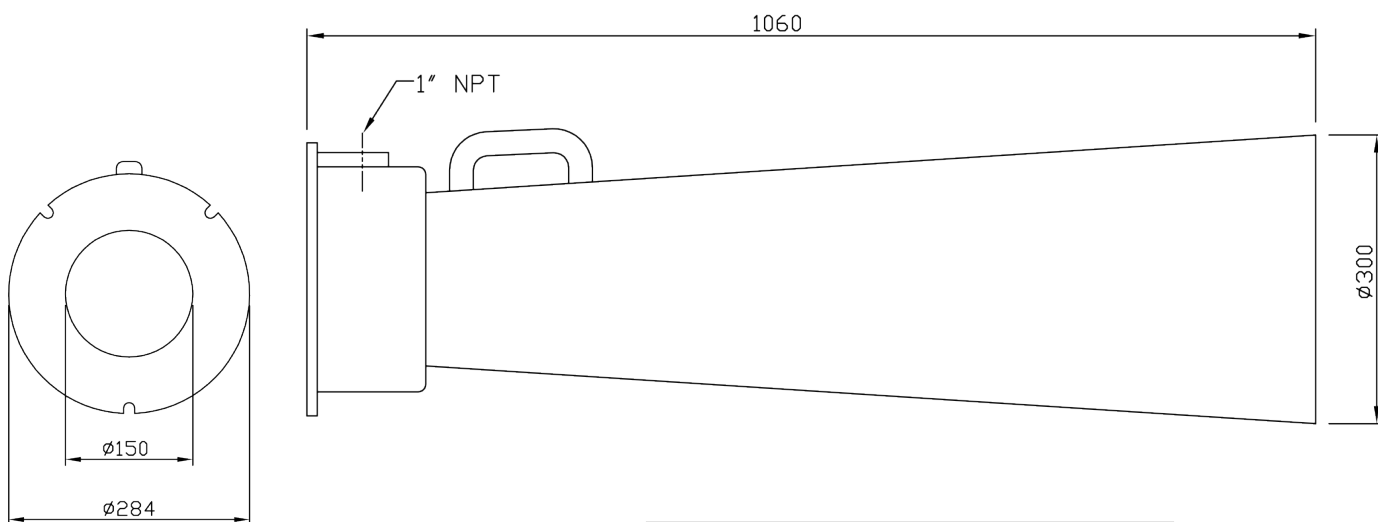
Material: Aluminium/Polyethylene

Weight: 7.0 Kg

dB(A) at: 5.5 bar is 95

Standard Inlet Threads: 1" NPT

Flange: API 6" / 152.4mm



Press in bar	Vol in m ³ /min	Vol out m ³ /min
2.76	1.670	77.588
4.14	2.605	84.327
5.52	3.511	94.266

