

## Bell suction cup (round)

### SFB1 40 SI-55 G1/4-IG

Part no.:10.01.06.04424

<https://www.schmalz.com/10.01.06.04424>

Homepage > Vacuum Technology for Automation > Vacuum Components > Vacuum Suction Cups > Suction Cups for Plastic Films and Paper >

Suction Cups SFF / SFB1 > SFB1 40 SI-55 G1/4-IG

## Bellows suction cup (round) for very uneven workpieces flexible workpieces



Size: 40

Suction cup material: Silicone SI

Material hardness: 55 °Sh

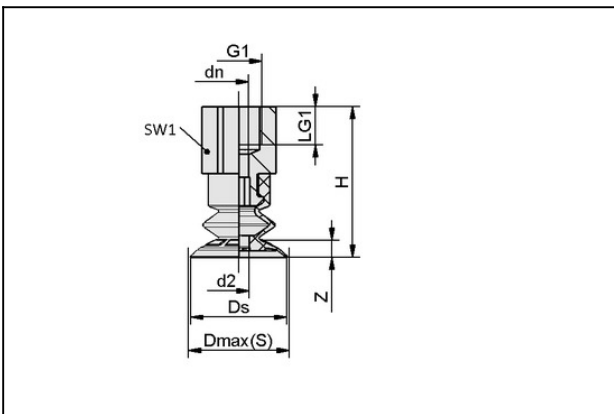
Thread G1: G1/4"-F

Number of folds: 1.5

Material characteristics:

FDA-compatible

## Design Data



Attribute	Value
Dmax(S)	42 mm
Ds	40 mm
d2	13.7 mm
dn	4.1 mm
G1	G1/4-IG
LG1	12 mm
H	46.9 mm
SW1	17 mm
Z (Stroke)	10 mm

## Technical Data

### Contact to Schmalz

J. Schmalz GmbH | Johannes-Schmalz-Straße, 72293 Glatten, Deutschland | +49 7443 2403-102 | [customercenter@schmalz.de](mailto:customercenter@schmalz.de)

## Bell suction cup (round)

### SFB1 40 SI-55 G1/4-IG

Part no.:10.01.06.04424

<https://www.schmalz.com/10.01.06.04424>

Attribute	Value
Suction force (-600mbar)	8.8 N
Volume	7.5 cm <sup>3</sup>
Size	40
Number of folds	1.5
Suction cup material	Silicone SI
Material hardness [Shore A]	55.0 Shore A
Weight	18.2 g
Product family	SFB1

## Spare Parts



### SFB1 40 SI-55 SC050

Part no.10.01.06.04372

Bellows suction cup (round) with 1.5 corr. for dynamic handling workpieces

Size: 40

Suction cup material: Silicone SI

Material hardness: 55 °Sh

Number of folds: 1.5

Material characteristics:

FDA-compatible



### SC 050 G1/4-IG SW410

Part no.10.01.06.04348

Connection element for suction cup "SchmalzConnector"

Connection geometry: 050

Vacuum connection: G1/4"-F

Overall length: 26.5 mm

Fitting length: 17.2 mm

Nominal diameter dn: 4.1 mm

## Bell suction cup (round)

SFB1 40 SI-55 G1/4-IG

Part no.:10.01.06.04424

<https://www.schmalz.com/10.01.06.04424>

---

