

Flat suction cup (round)

<https://www.schmalz.com/10.01.01.00012>



PFG 20 NBR-55 N006

Part no.: 10.01.01.00012

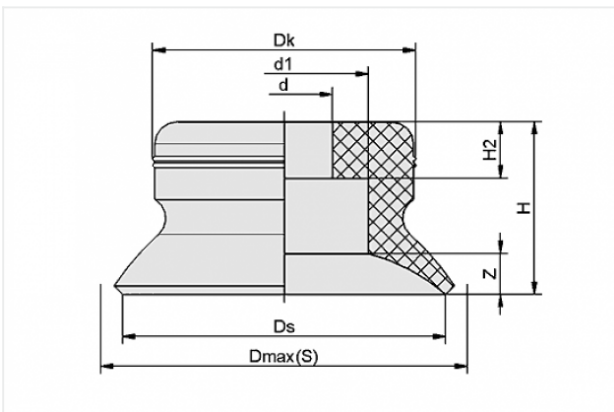
Homepage > Vacuum Technology for Automation > Vacuum Components > Vacuum Suction Cups > Flat Suction Cups (Round) > PFG 20 NBR-55 N006

Flat suction cup (round) for smooth or slightly rough surfaces



Size: 20
Suction cup material:
Nitrile rubber NBR
Material hardness: 55 °Sh

Design Data



Attribute	Value
-----------	-------

d	4.5 mm
---	--------

d1	11 mm
----	-------

Dk	15.2 mm
----	---------

Dmax(S)	23 mm
---------	-------

Ds	20 mm
----	-------

H	10 mm
---	-------

H2	4.5 mm
----	--------

Z	2.2 mm
---	--------

Technical Data

Contact to Schmalz

J. Schmalz GmbH | Johannes-Schmalz-Straße, 72293 Glatten, Deutschland | +49 7443 2403-102 | customercenter@schmalz.de

Attribute	Value
Suction force	15.5 N
Volume	0.864 cm ³
Curve radius (min) (convex)	20 mm
Size	20
Nipple	N 006
Number of folds	0
Suction cup material	Nitrile rubber NBR
Material hardness	55 °Sh
Weight	1.5 g
Product family	PFG

Accessories



SA-NIP N006 G1/8-AG DN200

Part no. 10.01.01.03530

Suction cup connection nipple

Nipple: N 006

Thread G1: G1/8-M

Overall length: 19.5 mm

Fitting length: 5 mm

Nominal size: 2.00 mm

Material: Aluminium



SA-NIP N006 G1/8-IG DN200

Part no. 10.01.01.03522

Suction cup connection nipple

Nipple: N 006

Thread G1: G1/8-F

Overall length: 22.5 mm

Fitting length: 16 mm

Nominal size: 2.00 mm

Material: Aluminium