

Bell suction cup (round)

SFB1 40 EPDM-45 G1/4-AG

Part no.:10.01.06.04422

<https://www.schmalz.com/10.01.06.04422>

Homepage > Vacuum Technology for Automation > Vacuum Components > Vacuum Suction Cups > Suction Cups for Plastic Films and Paper >

Suction Cups SFF / SFB1 > SFB1 40 EPDM-45 G1/4-AG

Bellows suction cup (round) for very uneven workpieces flexible workpieces



Size: 40

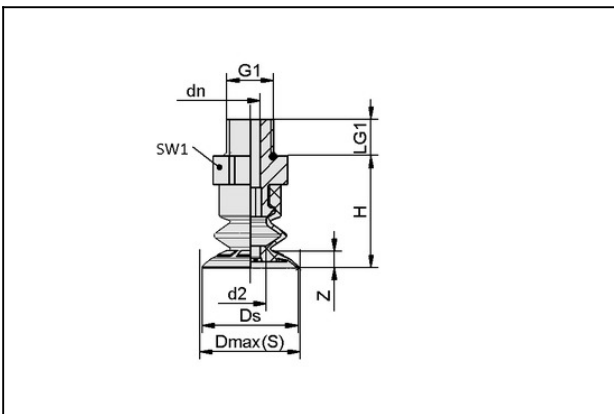
Suction cup material: EPDM

Material hardness: 45 °Sh

Thread G1: G1/4"-M

Number of folds: 1.5

Design Data



Attribute	Value
Dmax(S)	42 mm
Ds	40 mm
d2	13.7 mm
dn	4.1 mm
G1	G1/4-AG
LG1	10 mm
H	35.7 mm
SW1	17 mm
Z (Stroke)	10 mm

Technical Data

Contact to Schmalz

J. Schmalz GmbH | Johannes-Schmalz-Straße, 72293 Glatten, Deutschland | +49 7443 2403-102 | customercenter@schmalz.de

Bell suction cup (round)

SFB1 40 EPDM-45 G1/4-AG

Part no.:10.01.06.04422

<https://www.schmalz.com/10.01.06.04422>

Attribute	Value
Suction force (-600mbar)	8.8 N
Volume	7.5 cm ³
Size	40
Number of folds	1.5
Suction cup material	EPDM
Material hardness [Shore A]	45.0 Shore A
Product family	SFB1

Spare Parts



SFB1 40 EPDM-45 SC050

Part no.10.01.06.04378

Bellows suction cup (round) with 1.5 corr. for dynamic handling workpieces

Size: 40

Suction cup material: EPDM

Material hardness: 45 °Sh

Number of folds: 1.5



SC 050 G1/4-AG SW410

Part no.10.01.06.04347

Connection element for suction cup "SchmalzConnector"

Connection geometry: 050

Vacuum connection: G1/4"-M

Overall length: 26.5 mm

Fitting length: 7.2 mm

Nominal diameter dn: 4.1 mm