

## Bell suction cup (round)

SFB1 30 EPDM-45 G1/4-IG

Part no.:10.01.06.04419

<https://www.schmalz.com/10.01.06.04419>

Homepage > Vacuum Technology for Automation > Vacuum Components > Vacuum Suction Cups > Suction Cups for Plastic Films and Paper >

Suction Cups SFF / SFB1 > SFB1 30 EPDM-45 G1/4-IG

### Bellows suction cup (round) for very uneven workpieces flexible workpieces



Size: 30

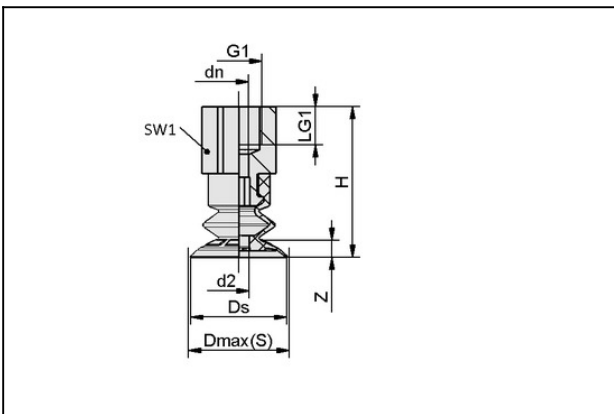
Suction cup material: EPDM

Material hardness: 45 °Sh

Thread G1: G1/4"-F

Number of folds: 1.5

### Design Data



Attribute	Value
Dmax(S)	31.5 mm
Ds	30 mm
d2	9.9 mm
dn	4.1 mm
G1	G1/4-IG
LG1	12 mm
H	37.7 mm
SW1	17 mm
Z (Stroke)	8 mm

### Technical Data

#### Contact to Schmalz

J. Schmalz GmbH | Johannes-Schmalz-Straße, 72293 Glatten, Deutschland | +49 7443 2403-102 | [customercenter@schmalz.de](mailto:customercenter@schmalz.de)

## Bell suction cup (round)

### SFB1 30 EPDM-45 G1/4-IG

Part no.:10.01.06.04419

<https://www.schmalz.com/10.01.06.04419>

Attribute	Value
Suction force (-600mbar)	4.6 N
Volume	2.9 cm <sup>3</sup>
Size	30
Number of folds	1.5
Suction cup material	EPDM
Material hardness [Shore A]	45.0 Shore A
Product family	SFB1

## Spare Parts



### SFB1 30 EPDM-45 SC040

Part no.10.01.06.04377

Bellows suction cup (round) with 1.5 corr. for dynamic handling workpieces

Size: 30

Suction cup material: EPDM

Material hardness: 45 °Sh

Number of folds: 1.5



### SC 040 G1/4-IG

Part no.10.01.06.02918

Connection element for suction cup "SchmalzConnector"

Connection geometry: 040

Vacuum connection: G1/4"-F

Overall length: 24 mm

Fitting length: 17.3 mm

Nominal diameter dn: 4.1 mm