

Bell suction cup (round)

SFB1 30 EPDM-45 G1/4-AG

Part no.:10.01.06.04416

<https://www.schmalz.com/10.01.06.04416>

Homepage > Vacuum Technology for Automation > Vacuum Components > Vacuum Suction Cups > Suction Cups for Plastic Films and Paper >

Suction Cups SFF / SFB1 > SFB1 30 EPDM-45 G1/4-AG

Bellows suction cup (round) for very uneven workpieces flexible workpieces



Size: 30

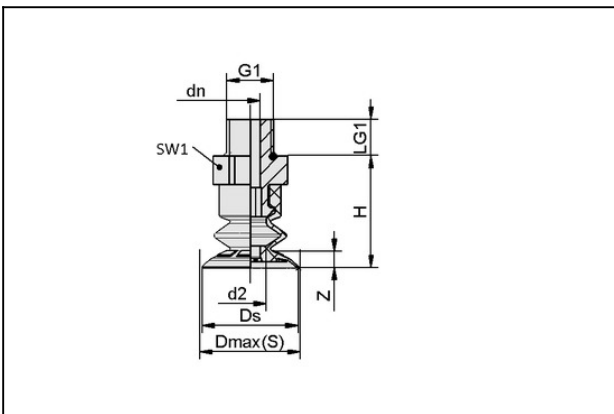
Suction cup material: EPDM

Material hardness: 45 °Sh

Thread G1: G1/4"-M

Number of folds: 1.5

Design Data



Attribute	Value
Dmax(S)	31.5 mm
Ds	30 mm
d2	9.9 mm
dn	4.1 mm
G1	G1/4-AG
LG1	10 mm
H	26.4 mm
SW1	17 mm
Z (Stroke)	8 mm

Technical Data

Contact to Schmalz

J. Schmalz GmbH | Johannes-Schmalz-Straße, 72293 Glatten, Deutschland | +49 7443 2403-102 | customercenter@schmalz.de

Bell suction cup (round)

SFB1 30 EPDM-45 G1/4-AG

Part no.:10.01.06.04416

<https://www.schmalz.com/10.01.06.04416>

Attribute	Value
Suction force (-600mbar)	4.6 N
Volume	2.9 cm ³
Size	30
Number of folds	1.5
Suction cup material	EPDM
Material hardness [Shore A]	45.0 Shore A
Product family	SFB1

Spare Parts



SFB1 30 EPDM-45 SC040

Part no.10.01.06.04377

Bellows suction cup (round) with 1.5 corr. for dynamic handling workpieces

Size: 30

Suction cup material: EPDM

Material hardness: 45 °Sh

Number of folds: 1.5



SC 040 G1/4-AG

Part no.10.01.06.03414

Connection element for suction cup "SchmalzConnector"

Connection geometry: 040

Vacuum connection: G1/4"-M

Overall length: 22.7 mm

Fitting length: 6 mm

Nominal diameter dn: 4.1 mm