

Bell suction cup (round)

SFB1 25 SI-55 G1/8-AG

Part no.:10.01.06.04409

<https://www.schmalz.com/10.01.06.04409>

Homepage > Vacuum Technology for Automation > Vacuum Components > Vacuum Suction Cups > Suction Cups for Plastic Films and Paper >

Suction Cups SFF / SFB1 > SFB1 25 SI-55 G1/8-AG

Bellows suction cup (round) for very uneven workpieces flexible workpieces



Size: 25

Suction cup material: Silicone SI

Material hardness: 55 °Sh

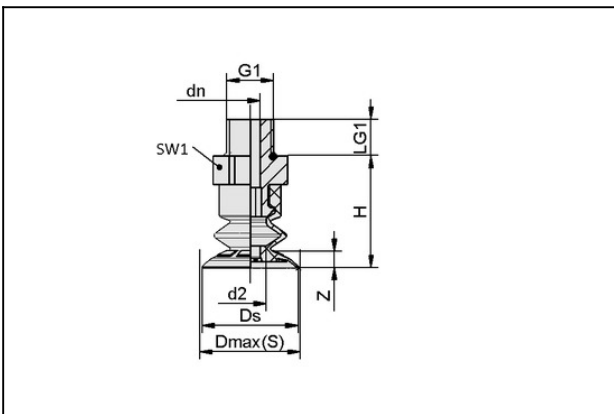
Thread G1: G1/8"-M

Number of folds: 1.5

Material characteristics:

FDA-compatible

Design Data



Attribute	Value
Dmax(S)	26.5 mm
Ds	25 mm
d2	8.2 mm
dn	4.1 mm
G1	G1/8-AG
LG1	7.5 mm
H	25.2 mm
SW1	14 mm
Z (Stroke)	6.5 mm

Technical Data

Contact to Schmalz

J. Schmalz GmbH | Johannes-Schmalz-Straße, 72293 Glatten, Deutschland | +49 7443 2403-102 | customercenter@schmalz.de

Bell suction cup (round)

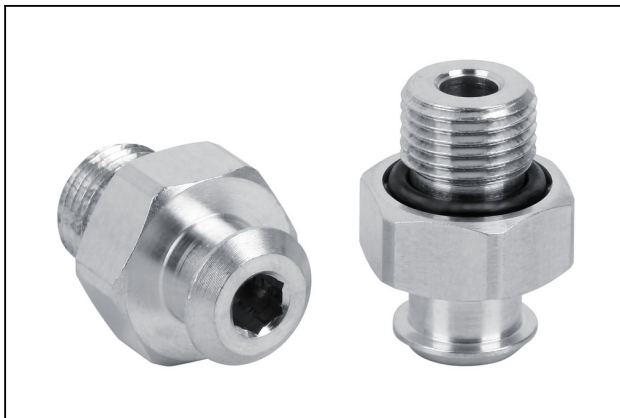
SFB1 25 SI-55 G1/8-AG

Part no.:10.01.06.04409

<https://www.schmalz.com/10.01.06.04409>

Attribute	Value
Suction force (-600mbar)	3.2 N
Volume	1.9 cm ³
Size	25
Number of folds	1.5
Suction cup material	Silicone SI
Material hardness [Shore A]	55.0 Shore A
Weight	6.3 g
Product family	SFB1

Spare Parts



SC 040 G1/8-AG

Part no.10.01.06.02490

Connection element for suction cup "SchmalzConnector"

Connection geometry: 040

Vacuum connection: G1/8"-M

Overall length: 20.2 mm

Fitting length: 6 mm

Nominal diameter dn: 4.1 mm