

## Flat suction cup (round)

SFF 25 SI-55 G1/8-IG

Part no.:10.01.01.14255

<https://www.schmalz.com/10.01.01.14255>

Homepage > Vacuum Technology for Automation > Vacuum Components > Vacuum Suction Cups > Suction Cups for Plastic Films and Paper >

Suction Cups SFF / SFB1 > SFF 25 SI-55 G1/8-IG

### Flat suction cup (round) for dynamic handling of thin and flexible workpieces



Size: 25

Suction cup material: Silicone SI

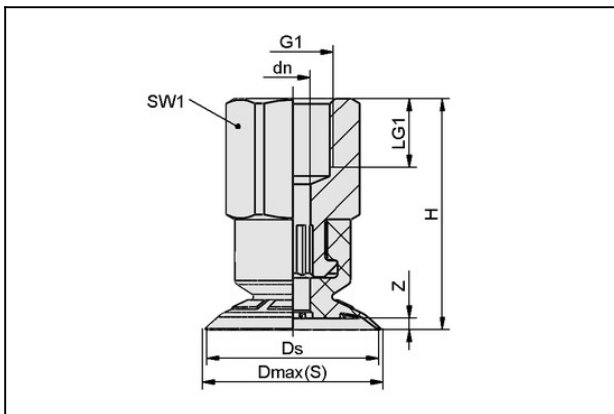
Material hardness: 55 °Sh

Thread G1: G1/8"-F

Material characteristics:

FDA-compatible

### Design Data



Attribute	Value
Dmax(S)	26.5 mm
Ds	25 mm
dn	4 mm
G1	G1/8-IG
LG1	8 mm
H	27.2 mm
SW1	14 mm
Z (Stroke)	1.7 mm

### Technical Data

#### Contact to Schmalz

J. Schmalz GmbH | Johannes-Schmalz-Straße, 72293 Glatten, Deutschland | +49 7443 2403-102 | [customercenter@schmalz.de](mailto:customercenter@schmalz.de)

## Flat suction cup (round)

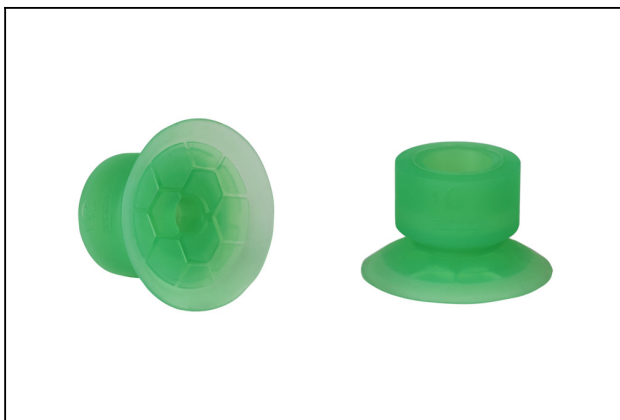
SFF 25 SI-55 G1/8-IG

Part no.:10.01.01.14255

<https://www.schmalz.com/10.01.01.14255>

Attribute	Value
Suction force (-600mbar)	18.5 N
Volume	1.2 cm <sup>3</sup>
Size	25
Number of folds	0
Suction cup material	Silicone SI
Material hardness [Shore A]	55.0 Shore A
Weight	7.1 g
Product family	SFF

### Spare Parts



#### SFF 25 SI-55 SC040

Part no.10.01.01.13748

Flat suction cups (round) for the gentle handling of thin and flexible workpieces

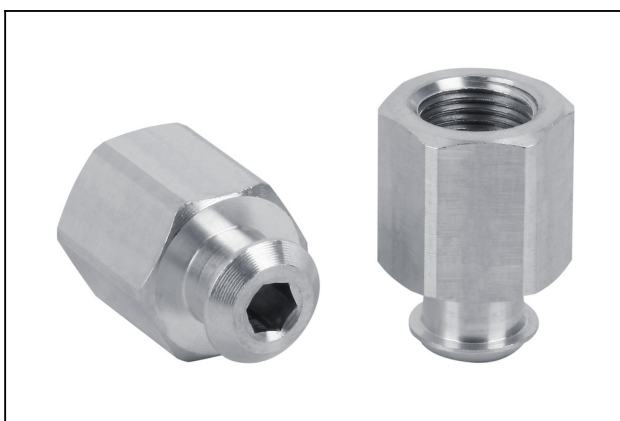
Size: 25

Suction cup material: Silicone SI

Material hardness: 55 °Sh

Material characteristics:

FDA-compatible



#### SC 040 G1/8-IG

Part no.10.01.06.02482

Connection element for suction cup "SchmalzConnector"

Connection geometry: 040

Vacuum connection: G1/8"-F

Overall length: 20.7 mm

Fitting length: 14 mm

Nominal diameter dn: 4.1 mm



## Flat suction cup (round)

SFF 25 SI-55 G1/8-IG

Part no.:10.01.01.14255

<https://www.schmalz.com/10.01.01.14255>

---