

Flat suction cup (round)

SFF 25 EPDM-45 G1/8-AG

Part no.:10.01.01.14266

<https://www.schmalz.com/10.01.01.14266>

Homepage > Vacuum Technology for Automation > Vacuum Components > Vacuum Suction Cups > Suction Cups for Plastic Films and Paper >

Suction Cups SFF / SFB1 > SFF 25 EPDM-45 G1/8-AG

Flat suction cup (round) for dynamic handling of thin and flexible workpieces



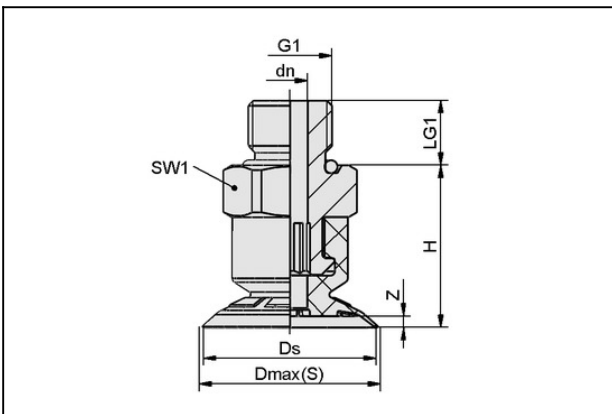
Size: 25

Suction cup material: EPDM

Material hardness: 45 °Sh

Thread G1: G1/8"-M

Design Data



Attribute	Value
Dmax(S)	26.5 mm
Ds	25 mm
dn	4 mm
G1	G1/8-AG
LG1	7.5 mm
H	19.2 mm
SW1	14 mm
Z (Stroke)	1.7 mm

Technical Data

Contact to Schmalz

J. Schmalz GmbH | Johannes-Schmalz-Straße, 72293 Glatten, Deutschland | +49 7443 2403-102 | customercenter@schmalz.de

Flat suction cup (round)

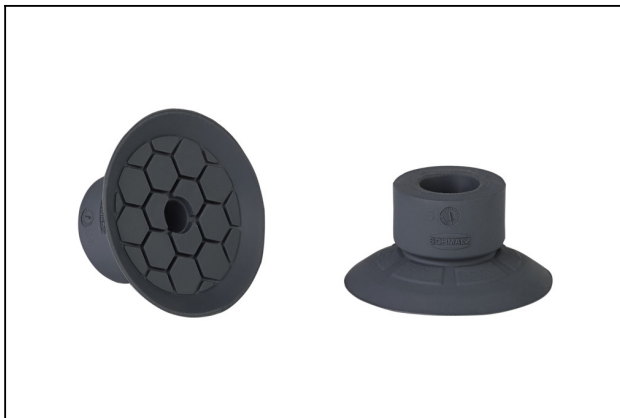
SFF 25 EPDM-45 G1/8-AG

Part no.:10.01.01.14266

<https://www.schmalz.com/10.01.01.14266>

Attribute	Value
Suction force (-600mbar)	18.5 N
Volume	1.2 cm ³
Size	25
Number of folds	0
Suction cup material	EPDM
Material hardness [Shore A]	45.0 Shore A
Weight	6.1 g
Product family	SFF

Spare Parts



SFF 25 EPDM-45 SC040

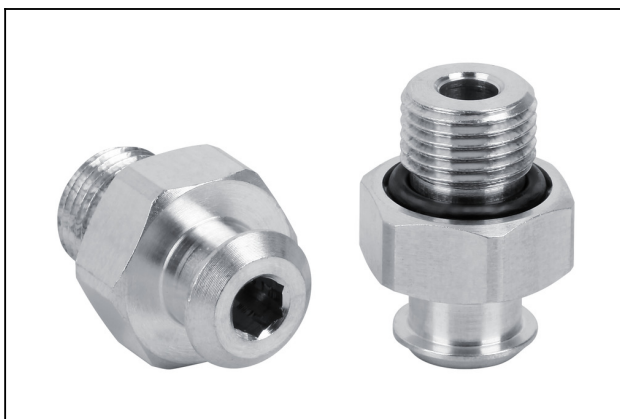
Part no.10.01.01.14047

Flat suction cups (round) for the gentle handling of thin and flexible workpieces

Size: 25

Suction cup material: EPDM

Material hardness: 45 °Sh



SC 040 G1/8-AG

Part no.10.01.06.02490

Connection element for suction cup "SchmalzConnector"

Connection geometry: 040

Vacuum connection: G1/8"-M

Overall length: 20.2 mm

Fitting length: 6 mm

Nominal diameter dn: 4.1 mm



Flat suction cup (round)

SFF 25 EPDM-45 G1/8-AG

Part no.:10.01.01.14266

<https://www.schmalz.com/10.01.01.14266>
