

Flat suction cup (round)

SFF 20 SI-55 G1/8-AG

Part no.:10.01.01.14252

<https://www.schmalz.com/10.01.01.14252>

Homepage > Vacuum Technology for Automation > Vacuum Components > Vacuum Suction Cups > Suction Cups for Plastic Films and Paper >

Suction Cups SFF / SFB1 > SFF 20 SI-55 G1/8-AG

Flat suction cup (round) for dynamic handling of thin and flexible workpieces



Size: 20

Suction cup material: Silicone SI

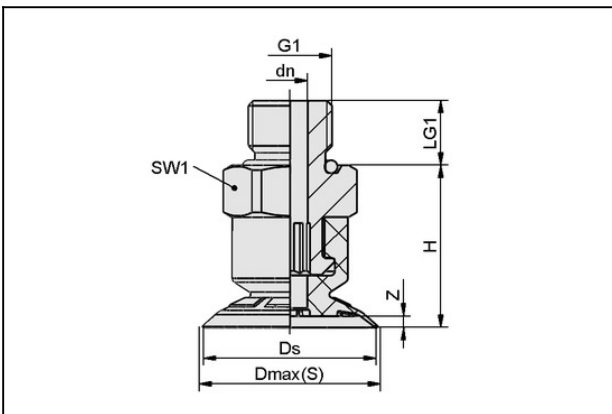
Material hardness: 55 °Sh

Thread G1: G1/8"-M

Material characteristics:

FDA-compatible

Design Data



Attribute	Value
Dmax(S)	21 mm
Ds	20 mm
dn	4 mm
G1	G1/8-AG
LG1	7.5 mm
H	18.8 mm
SW1	14 mm
Z (Stroke)	1.3 mm

Technical Data

Contact to Schmalz

J. Schmalz GmbH | Johannes-Schmalz-Straße, 72293 Glatten, Deutschland | +49 7443 2403-102 | customercenter@schmalz.de

Flat suction cup (round)

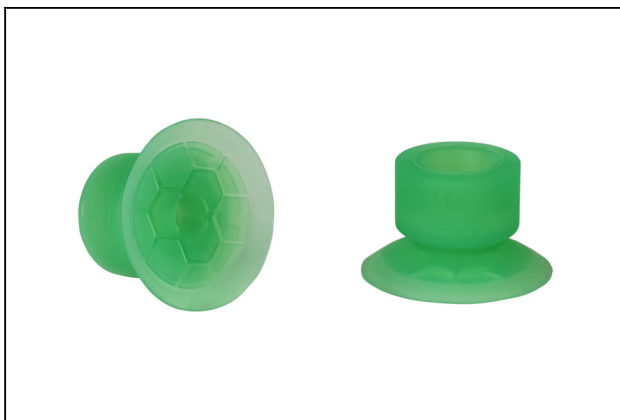
SFF 20 SI-55 G1/8-AG

Part no.:10.01.01.14252

<https://www.schmalz.com/10.01.01.14252>

Attribute	Value
Suction force (-600mbar)	11.6 N
Volume	0.8 cm ³
Size	20
Number of folds	0
Suction cup material	Silicone SI
Material hardness [Shore A]	55.0 Shore A
Weight	5.7 g
Product family	SFF

Spare Parts



SFF 20 SI-55 SC040

Part no.10.01.01.13747

Flat suction cups (round) for the gentle handling of thin and flexible workpieces

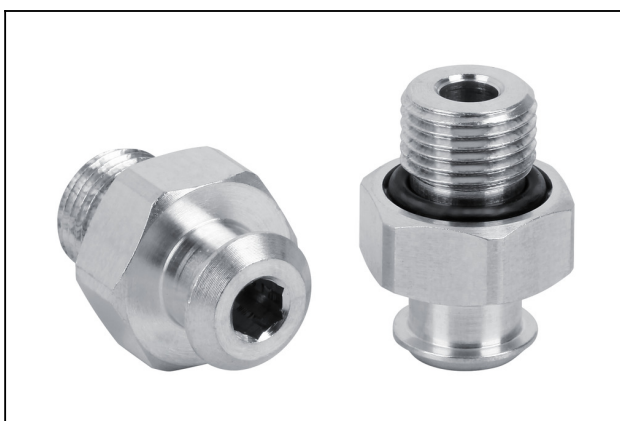
Size: 20

Suction cup material: Silicone SI

Material hardness: 55 °Sh

Material characteristics:

FDA-compatible



SC 040 G1/8-AG

Part no.10.01.06.02490

Connection element for suction cup "SchmalzConnector"

Connection geometry: 040

Vacuum connection: G1/8"-M

Overall length: 20.2 mm

Fitting length: 6 mm

Nominal diameter dn: 4.1 mm

Flat suction cup (round)

SFF 20 SI-55 G1/8-AG

Part no.:10.01.01.14252

<https://www.schmalz.com/10.01.01.14252>

