

Flat suction cup (round)

SFF 20 HT1-60 G1/8-IG

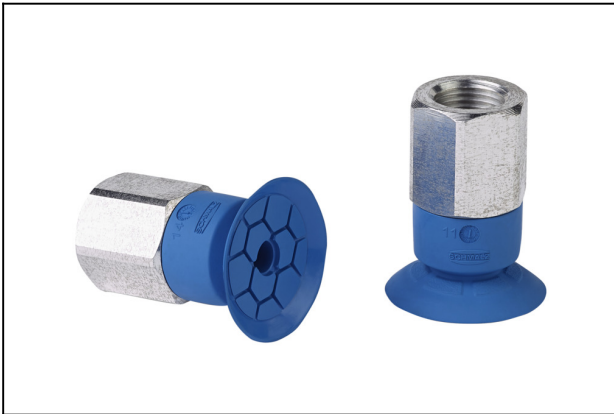
Part no.:10.01.01.14277

<https://www.schmalz.com/10.01.01.14277>

Homepage > Vacuum Technology for Automation > Vacuum Components > Vacuum Suction Cups > Suction Cups for Plastic Films and Paper >

Suction Cups SFF / SFB1 > SFF 20 HT1-60 G1/8-IG

Flat suction cup (round) for dynamic handling of thin and flexible workpieces



Size: 20

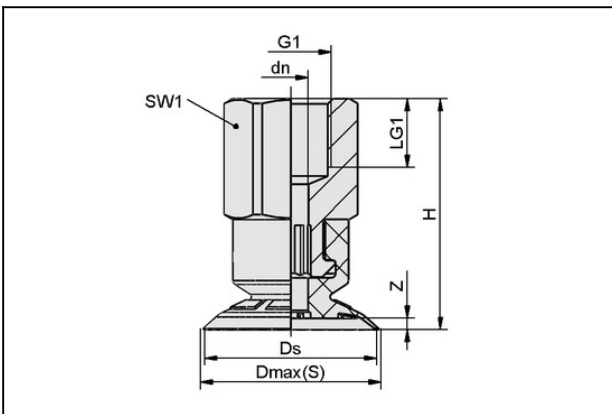
Suction cup material:

High temp material HT1

Material hardness: 60 °Sh

Thread G1: G1/8"-F

Design Data



Attribute	Value
Dmax(S)	21 mm
Ds	20 mm
dn	4 mm
G1	G1/8-IG
LG1	8 mm
H	26.8 mm
SW1	14 mm
Z (Stroke)	1.3 mm

Technical Data

Contact to Schmalz

J. Schmalz GmbH | Johannes-Schmalz-Straße, 72293 Glatten, Deutschland | +49 7443 2403-102 | customercenter@schmalz.de

Flat suction cup (round)

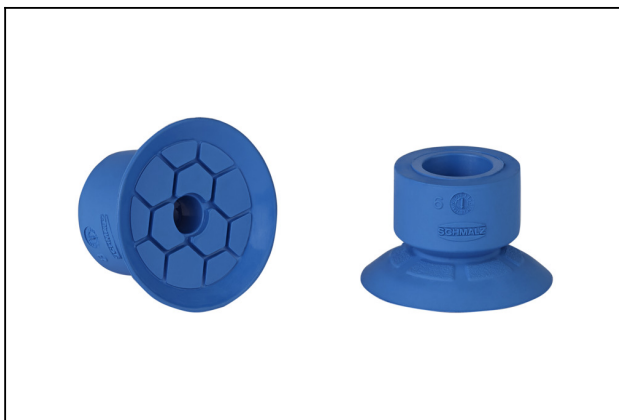
SFF 20 HT1-60 G1/8-IG

Part no.:10.01.01.14277

<https://www.schmalz.com/10.01.01.14277>

Attribute	Value
Suction force (-600mbar)	11.6 N
Volume	0.8 cm ³
Size	20
Number of folds	0
Suction cup material	High temp material HT1
Material hardness [Shore A]	60.0 Shore A
Weight	6.7 g
Product family	SFF

Spare Parts



SFF 20 HT1-60 SC040

Part no.10.01.01.14052

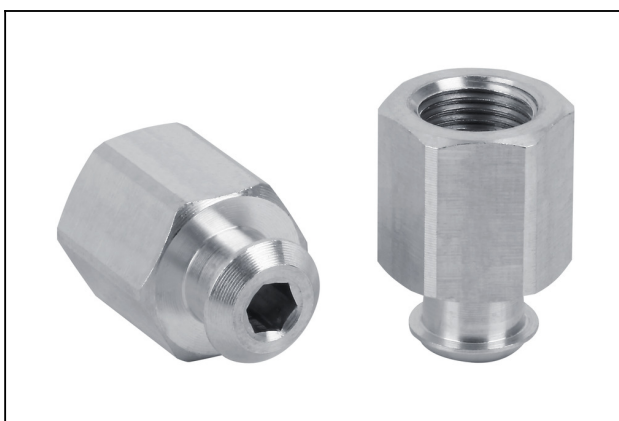
Flat suction cups (round) for the gentle handling of thin and flexible workpieces

Size: 20

Suction cup material:

High temp material HT1

Material hardness: 60 °Sh



SC 040 G1/8-IG

Part no.10.01.06.02482

Connection element for suction cup "SchmalzConnector"

Connection geometry: 040

Vacuum connection: G1/8"-F

Overall length: 20.7 mm

Fitting length: 14 mm

Nominal diameter dn: 4.1 mm



Flat suction cup (round)

SFF 20 HT1-60 G1/8-IG

Part no.:10.01.01.14277

<https://www.schmalz.com/10.01.01.14277>
