

## Flat suction cup (round)

SFF 20 HT1-60 G1/8-AG

Part no.:10.01.01.14276

<https://www.schmalz.com/10.01.01.14276>

Homepage > Vacuum Technology for Automation > Vacuum Components > Vacuum Suction Cups > Suction Cups for Plastic Films and Paper >

Suction Cups SFF / SFB1 > SFF 20 HT1-60 G1/8-AG

### Flat suction cup (round) for dynamic handling of thin and flexible workpieces



Size: 20

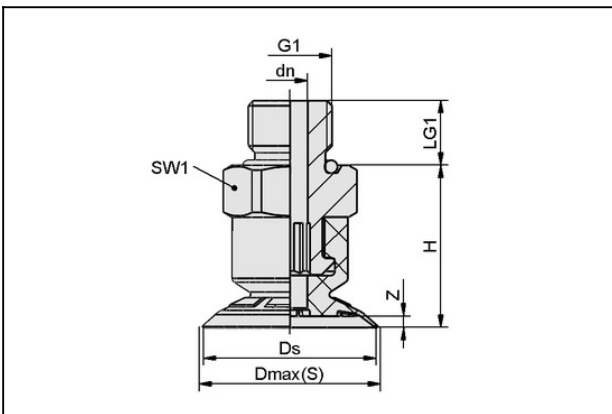
Suction cup material:

High temp material HT1

Material hardness: 60 °Sh

Thread G1: G1/8"-M

#### Design Data



Attribute	Value
Dmax(S)	21 mm
Ds	20 mm
dn	4 mm
G1	G1/8-AG
LG1	7.5 mm
H	18.8 mm
SW1	14 mm
Z (Stroke)	1.3 mm

#### Technical Data

#### Contact to Schmalz

J. Schmalz GmbH | Johannes-Schmalz-Straße, 72293 Glatten, Deutschland | +49 7443 2403-102 | [customercenter@schmalz.de](mailto:customercenter@schmalz.de)

## Flat suction cup (round)

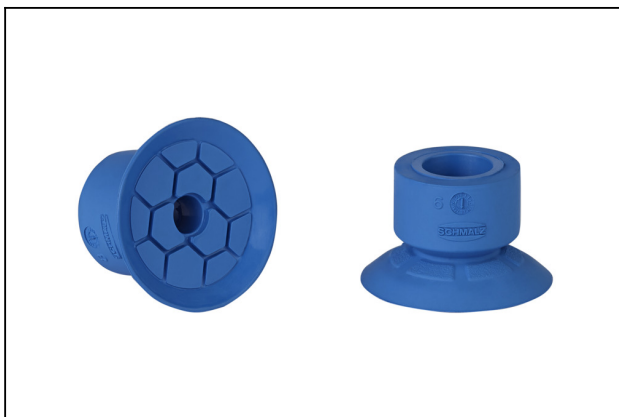
### SFF 20 HT1-60 G1/8-AG

Part no.:10.01.01.14276

<https://www.schmalz.com/10.01.01.14276>

Attribute	Value
Suction force (-600mbar)	11.6 N
Volume	0.8 cm <sup>3</sup>
Size	20
Number of folds	0
Suction cup material	High temp material HT1
Material hardness [Shore A]	60.0 Shore A
Weight	5.7 g
Product family	SFF

## Spare Parts



### SFF 20 HT1-60 SC040

Part no.10.01.01.14052

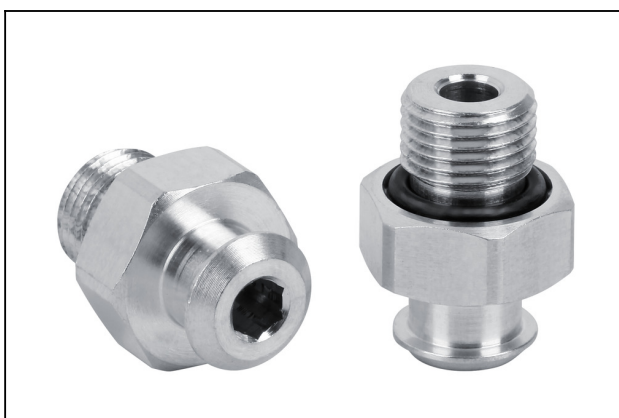
Flat suction cups (round) for the gentle handling of thin and flexible workpieces

Size: 20

Suction cup material:

High temp material HT1

Material hardness: 60 °Sh



### SC 040 G1/8-AG

Part no.10.01.06.02490

Connection element for suction cup "SchmalzConnector"

Connection geometry: 040

Vacuum connection: G1/8"-M

Overall length: 20.2 mm

Fitting length: 6 mm

Nominal diameter dn: 4.1 mm

## Flat suction cup (round)

SFF 20 HT1-60 G1/8-AG

Part no.:10.01.01.14276

<https://www.schmalz.com/10.01.01.14276>

---

