

Bell suction cup (round)

SFB1 20 EPDM-45 G1/8-IG

Part no.:10.01.06.04407

<https://www.schmalz.com/10.01.06.04407>

Homepage > Vacuum Technology for Automation > Vacuum Components > Vacuum Suction Cups > Suction Cups for Plastic Films and Paper >

Suction Cups SFF / SFB1 > SFB1 20 EPDM-45 G1/8-IG

Bellows suction cup (round) for very uneven workpieces flexible workpieces



Size: 20

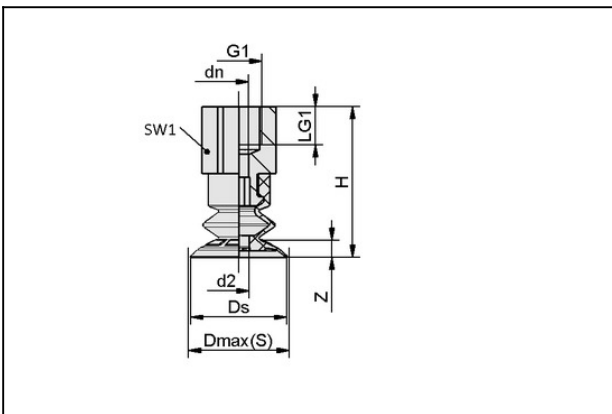
Suction cup material: EPDM

Material hardness: 45 °Sh

Thread G1: G1/8"-F

Number of folds: 1.5

Design Data



| Attribute | Value |
|------------|---------|
| Dmax(S) | 21 mm |
| Ds | 20 mm |
| d2 | 6.6 mm |
| dn | 4.1 mm |
| G1 | G1/8-IG |
| LG1 | 8 mm |
| H | 31.5 mm |
| SW1 | 14 mm |
| Z (Stroke) | 5 mm |

Technical Data

Contact to Schmalz

J. Schmalz GmbH | Johannes-Schmalz-Straße, 72293 Glatten, Deutschland | +49 7443 2403-102 | customercenter@schmalz.de

Bell suction cup (round)

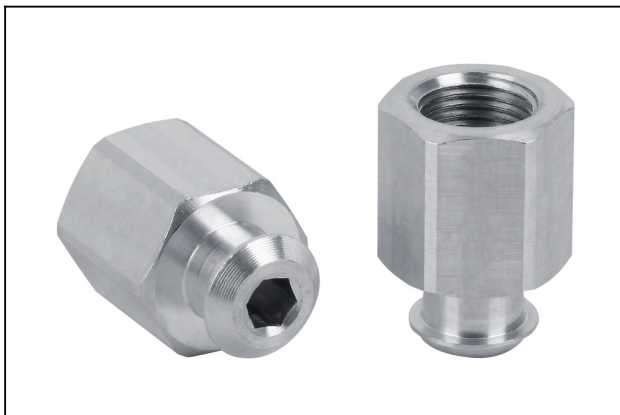
SFB1 20 EPDM-45 G1/8-IG

Part no.:10.01.06.04407

<https://www.schmalz.com/10.01.06.04407>

| Attribute | Value |
|-----------------------------|---------------------|
| Suction force (-600mbar) | 2.1 N |
| Volume | 1.2 cm ³ |
| Size | 20 |
| Number of folds | 1.5 |
| Suction cup material | EPDM |
| Material hardness [Shore A] | 45.0 Shore A |
| Product family | SFB1 |

Spare Parts



SC 040 G1/8-IG

Part no.10.01.06.02482

Connection element for suction cup "SchmalzConnector"

Connection geometry: 040

Vacuum connection: G1/8"-F

Overall length: 20.7 mm

Fitting length: 14 mm

Nominal diameter dn: 4.1 mm