

Flat suction cup (round)

<https://www.schmalz.com/10.01.01.00184>



PFYN 20 FPM-65 G1/8-AG

Part no.: 10.01.01.00184

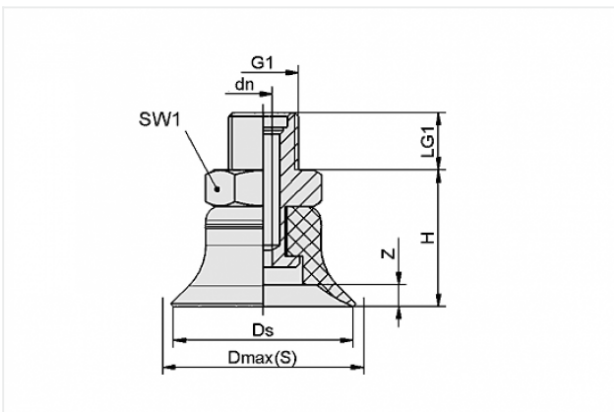
Homepage > Vacuum Technology for Automation > Vacuum Components > Vacuum Suction Cups > Flat Suction Cups (Round) > Flat Suction Cups
PFYN > PFYN 20 FPM-65 G1/8-AG

Flat suction cup (round) for smooth or slightly rough surfaces



Size: 20
Suction cup material:
Fluorocautchuc FPM
Material hardness: 65 °Sh
Material property: imprint-free
Nipple material: Aluminium
Vacuum connection: G1/8-M

Design Data



Attribute	Value
dn	2 mm
Dmax(S)	23 mm
Ds	20 mm
G1	G1/8"-M
H	15 mm
LG1	8 mm
SW1	14 mm
Z	2.2 mm

Technical Data

Contact to Schmalz

J. Schmalz GmbH | Johannes-Schmalz-Straße, 72293 Glatten, Deutschland | +49 7443 2403-102 |
customercenter@schmalz.de

Attribute	Value
Suction force	15.5 N
Volume	0.8 cm ³
Curve radius (min) (convex)	20 mm
Internal hose diameter (recom.)	4 mm
Size	20
Number of folds	0
Suction cup material	Fluorocaoutchuc FPM
Material hardness	65 °Sh
Weight	6.7 g
Product family	PFYN

Note:

- Suction force: The specified suction forces are theoretical values at a vacuum of -0.6 bar and with a smooth, dry workpiece surface - they do not include a safety factor
- Hose diameter: The recommended hose diameter refers to a hose length of approx. 2 m

Spare Parts



SA-NIP N006 G1/8-AG DN200

Part no. 10.01.01.03530

Suction cup connection nipple

Nipple: N 006

Thread G1: G1/8-M

Overall length: 19.5 mm

Fitting length: 5 mm

Nominal size: 2.00 mm

Material: Aluminium



PFG 20 FPM-65 N006

Part no. 10.01.01.00072

Flat suction cup (round) for smooth or slightly rough surfaces

Size: 20

Suction cup material:

Fluorocautchuc FPM

Material hardness: 65 °Sh

Material property: imprint-free