

Flat suction cup (round)

SFF 15 SI-55 G1/8-IG

Part no.:10.01.01.14251

<https://www.schmalz.com/10.01.01.14251>

Homepage > Vacuum Technology for Automation > Vacuum Components > Vacuum Suction Cups > Suction Cups for Plastic Films and Paper >

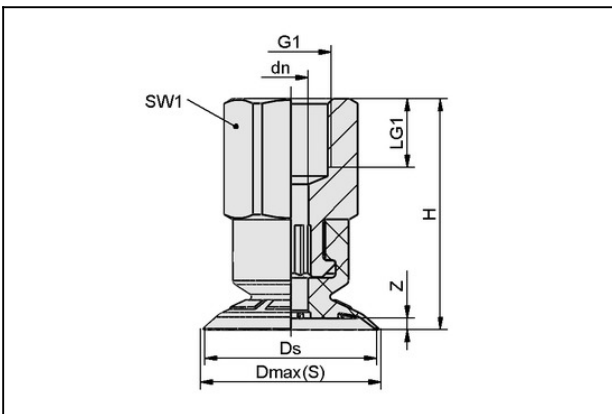
Suction Cups SFF / SFB1 > SFF 15 SI-55 G1/8-IG

Flat suction cup (round) for dynamic handling of thin and flexible workpieces



Size: 15
 Suction cup material: Silicone SI
 Material hardness: 55 °Sh
 Thread G1: G1/8"-F
 Material characteristics:
 FDA-compatible

Design Data



Attribute	Value
Dmax(S)	16 mm
Ds	15 mm
dn	4 mm
G1	G1/8-IG
LG1	8 mm
H	26.5 mm
SW1	14 mm
Z (Stroke)	1 mm

Technical Data

Contact to Schmalz

J. Schmalz GmbH | Johannes-Schmalz-Straße, 72293 Glatten, Deutschland | +49 7443 2403-102 | customercenter@schmalz.de

Flat suction cup (round)

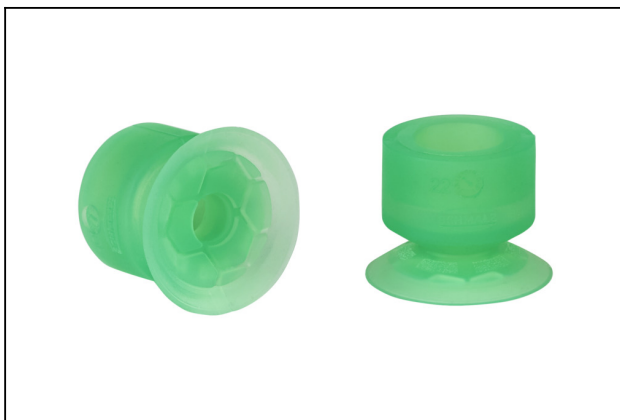
SFF 15 SI-55 G1/8-IG

Part no.:10.01.01.14251

<https://www.schmalz.com/10.01.01.14251>

Attribute	Value
Suction force (-600mbar)	6.6 N
Volume	0.6 cm ³
Size	15
Number of folds	0
Suction cup material	Silicone SI
Material hardness [Shore A]	55.0 Shore A
Weight	6.2 g
Product family	SFF

Spare Parts



SFF 15 SI-55 SC040

Part no.10.01.01.13746

Flat suction cups (round) for the gentle handling of thin and flexible workpieces

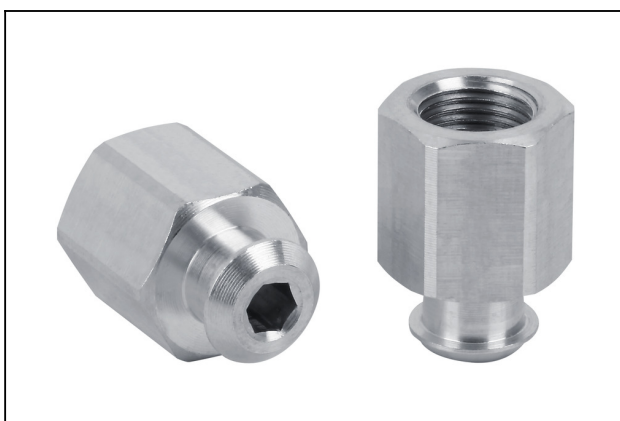
Size: 15

Suction cup material: Silicone SI

Material hardness: 55 °Sh

Material characteristics:

FDA-compatible



SC 040 G1/8-IG

Part no.10.01.06.02482

Connection element for suction cup "SchmalzConnector"

Connection geometry: 040

Vacuum connection: G1/8"-F

Overall length: 20.7 mm

Fitting length: 14 mm

Nominal diameter dn: 4.1 mm



Flat suction cup (round)

SFF 15 SI-55 G1/8-IG

Part no.:10.01.01.14251

<https://www.schmalz.com/10.01.01.14251>
