

Bell suction cup (round)

SFB1 15 SI-55 M5-AG

Part no.:10.01.06.04394

<https://www.schmalz.com/10.01.06.04394>

Homepage > Vacuum Technology for Automation > Vacuum Components > Vacuum Suction Cups > Suction Cups for Plastic Films and Paper >

Suction Cups SFF / SFB1 > SFB1 15 SI-55 M5-AG

Bellows suction cup (round) for very uneven workpieces flexible workpieces



Size: 15

Suction cup material: Silicone SI

Material hardness: 55 °Sh

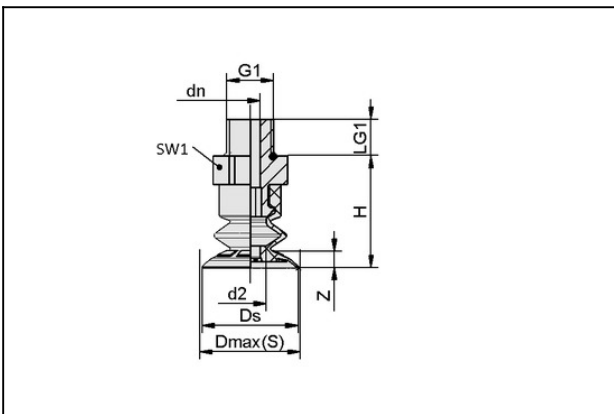
Thread G1: M5-M

Number of folds: 1.5

Material characteristics:

FDA-compatible

Design Data



Attribute	Value
Dmax(S)	16 mm
Ds	15 mm
d2	4.7 mm
dn	1.8 mm
G1	M5-AG
LG1	4.7 mm
H	21 mm
SW1	8 mm
Z (Stroke)	4 mm

Technical Data

Contact to Schmalz

J. Schmalz GmbH | Johannes-Schmalz-Straße, 72293 Glatten, Deutschland | +49 7443 2403-102 | customercenter@schmalz.de

Bell suction cup (round)

SFB1 15 SI-55 M5-AG

Part no.:10.01.06.04394

<https://www.schmalz.com/10.01.06.04394>

Attribute	Value
Suction force (-600mbar)	1 N
Volume	0.8 cm ³
Size	15
Number of folds	1.5
Suction cup material	Silicone SI
Material hardness [Shore A]	55.0 Shore A
Weight	2.2 g
Product family	SFB1

Spare Parts



SC 040 M5-AG

Part no.10.01.06.04346

Connection element for suction cup "SchmalzConnector"

Connection geometry: 040

Vacuum connection: M5-M

Overall length: 16.4 mm

Fitting length: 5 mm

Nominal diameter dn: 1.8 mm