

DAMPER UNIT S-ATD For S-ATJ and S-ATJD

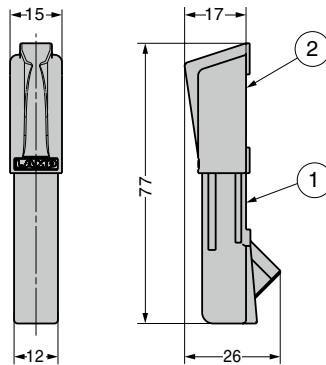


- Specially designed for use with the S-ATJ **1** and S-ATJD **2**.
Adds soft-closing feature to the stays.
- Easy to attach to the S-ATJ and S-ATJD stays by simply inserting it. The thickness is designed to fit the stays allowing for maximum space inside cabinets.

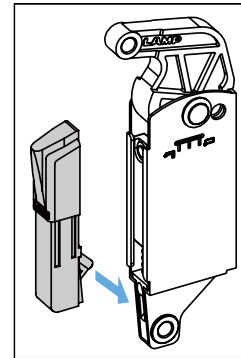
[Remarks]

- Only for use with the S-ATJ and S-ATJD. Can not be used with other items in the S-AT series.
- Other installation points than those in this catalogue may not be available. For details, please check with the product search engine called "Sasuga-kun" .

[When attached to the S-ATJD]



[Attaching]



Selection Tool
Sasuga-kun
 Applicable Products
 Used for Product Selection & Simulation.
 Available online!

RoHS	CAD	Item Code	Item Name	Weight (g)	Box (pcs)	Carton (pcs)
		180-043-521	S-ATD-30	15	50	-

No.	Part Name	Material
①	Damper Case	POM
②	Slider	PBT

Refer to **1** : PB4, **2** : PB5