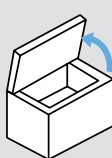


BALANCE-ADJUSTABLE LIFT-ASSIST STAY S-ATJ Side Mount



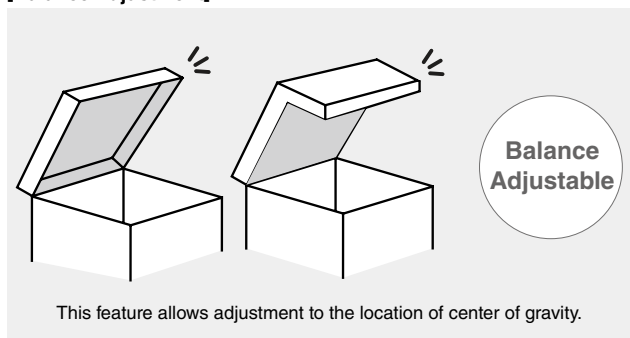
Opening Direction	Description	Non-handed	Maximum Door Moment*
 Top-opening	Side mount (damper option available)	Yes	6.1-8.8 N · m/pc (62-90 kgf · cm/pc)
			8.8-11.8 N · m/pc (90-120 kgf · cm/pc)

*The max. door moment depends on the following factors:

- Location of center of gravity
- Installation point of stays
- Balance adjustment

- Spring mechanism assists in lifting the top-opening lid.
- Easily holds the door at any angle.
- The balance adjustment allows for use in wider range of lids than conventional S-AT stays can be used.
- The locking hole prevents accidental close by inserting a screw driver into it.
- The optional damper S-ATD 1 provides soft closing.

[Balance Adjustment]



[Specifications]

- Operating temperature : 0°C~40°C
- Operating humidity : 90%RH or less
- For other specifications exceeding the above range, please contact local representatives.

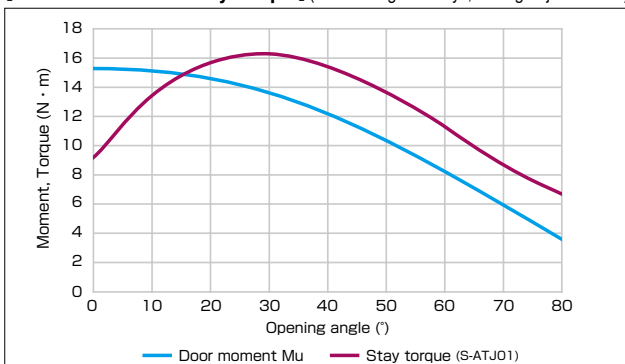
[Remarks]

- Be sure to read the "Cautions" 2.
- When used for the top-opening lid, install a stopper (not included) to prevent from exceeding the opening angle.
- Material of the mounting surface should be take into consideration. Low rigidity may cause deformation or damage.
- Was not designed for continuous opening and closing .
- Do not use outdoors.
- Spring tension may vary over time.
- Do not use concealed hinges (multiaxial hinges).
- Installation points must be parallel when using more than one stay.

[Recommended Screw]

- Truss head screw M5

[Door Moment and Stay Torque] (when using two stays, setting adjustment C)



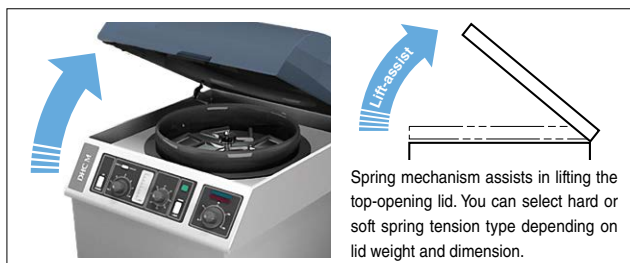
The graph above shows a ideal example of curves.

The stay torque should be above the door moment from the middle of the opening.

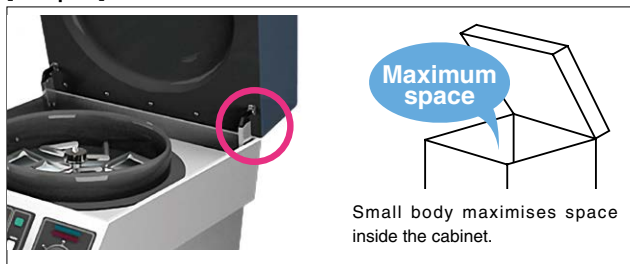
- Door moment Mu > Stay torque : Force is applied in the closing direction of door.
- Door moment Mu < Stay torque : Force is applied in the opening direction of door.
- Door specs (example) : X=500mm Y=20mm L=500.4mm m=3kg

*The installation point is the same as the drawings on the page of the HG-PA300-15.

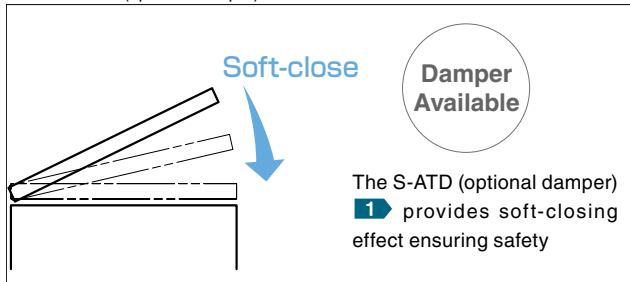
[Lift-assist]



[Compact]

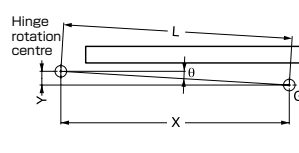


[Soft-close] (optional damper)



[Calculating Door Moment]

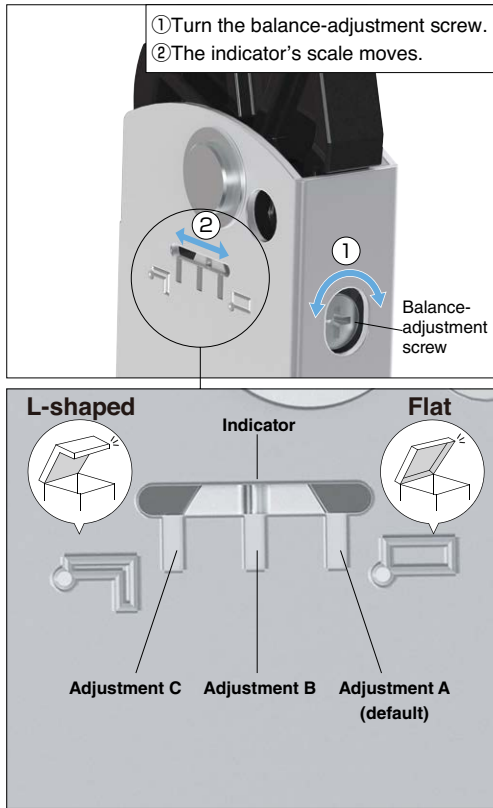
Calculation formula: $Mu = m \times L \times \cos\theta$



X	Horizontal distance from rotation centre to lid centre of gravity
Y	Vertical distance from rotation centre to lid centre of gravity
L	Distance from rotation centre to lid centre of gravity
θ	Angle from the horizontal line at the rotation centre to lid centre of gravity
m	Lid weight
G	Lid centre of gravity

Refer to 1 : P.B7, 2 : P.15

[Balance Adjustment]

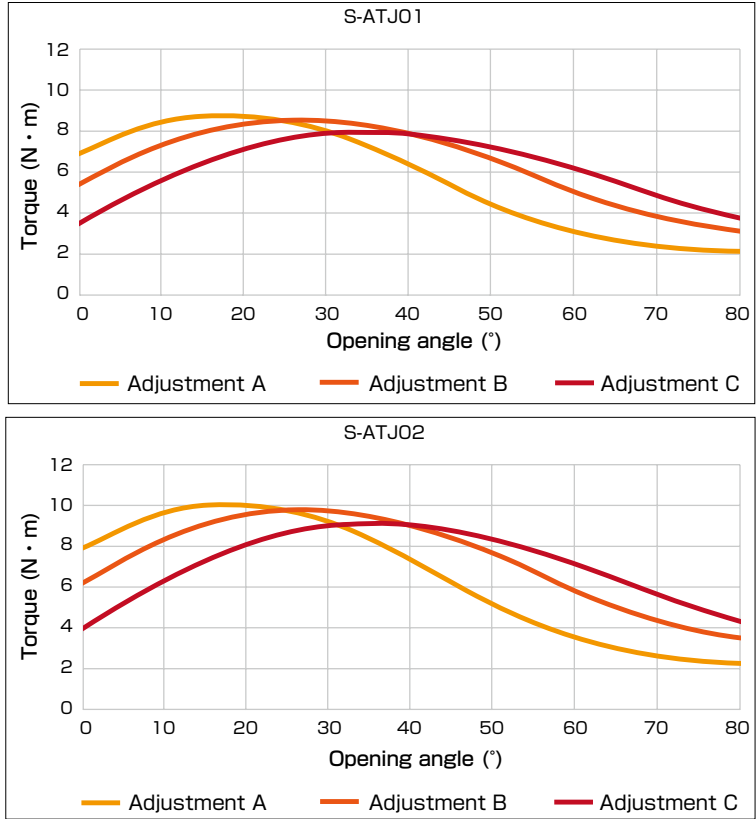


The indicator shows how much balance-adjustment is applied. Balance-adjustment should depend on the location of the center of gravity. When used in:

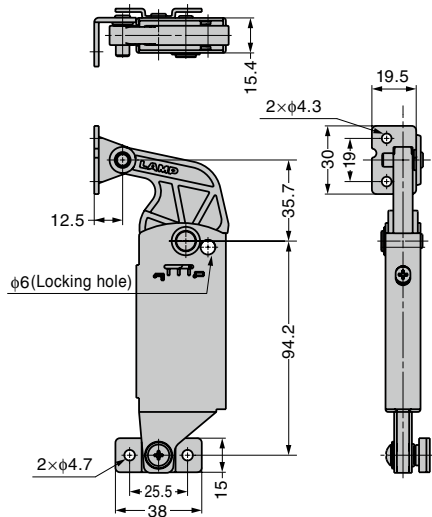
- a flat lid, "Adjustment A" becomes better setting.*
- a L-shaped lid, "Adjustment C" becomes better setting.*

*A flat lid's center of gravity is higher than its rotational center.
*A L-shaped lid's center of gravity is lower than its rotational center.

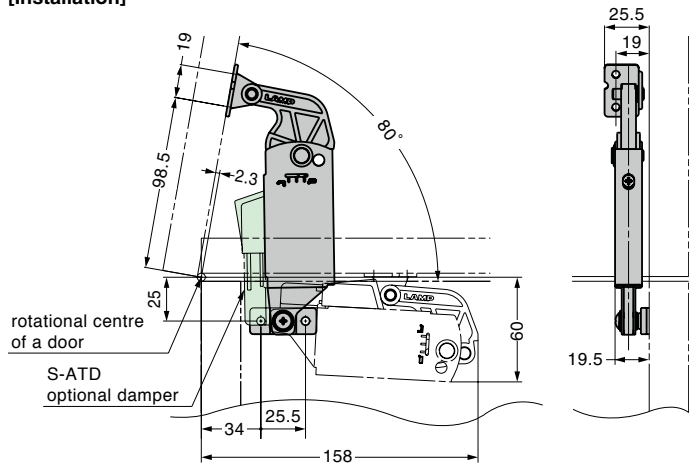
[Torque-Angle Graph] showing the variation of peak torque when balance-adjusted



Selection Tool
Sasuga-kun
Applicable Products
Used for Product Selection & Simulation.
Available online!



[Installation]



[Body]

RoHS	CAD	Item Code	Item Name	Material	Finish	Maximum Door Moment N·m/pc	Maximum Door Moment kgf·cm/pc	Weight (g)	Box (pcs)	Carton (pcs)
		180-043-515	S-ATJ01	Stainless Steel (SUS430) / POM	Plain	6.1~8.8	62~90	200	10	50
		180-043-518	S-ATJ02			8.8~11.8	90~120		10	50

*The Max. door moment depends on location of center of gravity, installation point of stays, and balance adjustment.

[Damper Unit] option

RoHS	CAD	Item Code	Item Name	Weight (g)	Box (pcs)	Carton (pcs)
		180-043-521	S-ATD-30	15	50	-