

## Bell suction cup (round)

SFB1 15 HT1-60 G1/8-IG

Part no.:10.01.06.04402

<https://www.schmalz.com/10.01.06.04402>

Homepage > Vacuum Technology for Automation > Vacuum Components > Vacuum Suction Cups > Suction Cups for Plastic Films and Paper >

Suction Cups SFF / SFB1 > SFB1 15 HT1-60 G1/8-IG

## Bellows suction cup (round) for very uneven workpieces flexible workpieces



Size: 15

Suction cup material:

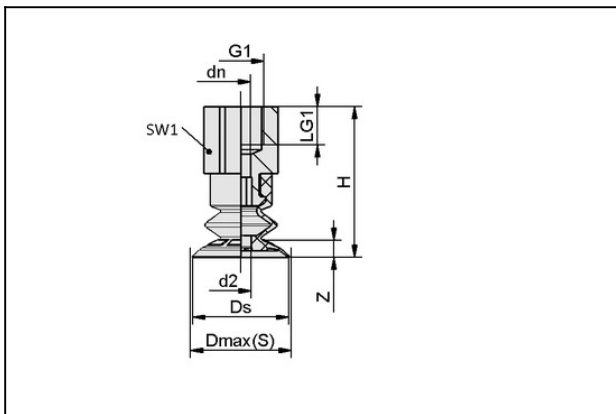
High temp material HT1

Material hardness: 60 °Sh

Thread G1: G1/8"-F

Number of folds: 1.5

### Design Data



Attribute	Value
Dmax(S)	16 mm
Ds	15 mm
d2	4.7 mm
dn	4.1 mm
G1	G1/8-IG
LG1	8 mm
H	30 mm
SW1	14 mm
Z (Stroke)	4 mm

### Technical Data

#### Contact to Schmalz

J. Schmalz GmbH | Johannes-Schmalz-Straße, 72293 Glatten, Deutschland | +49 7443 2403-102 | [customercenter@schmalz.de](mailto:customercenter@schmalz.de)

# Bell suction cup (round)

## SFB1 15 HT1-60 G1/8-IG

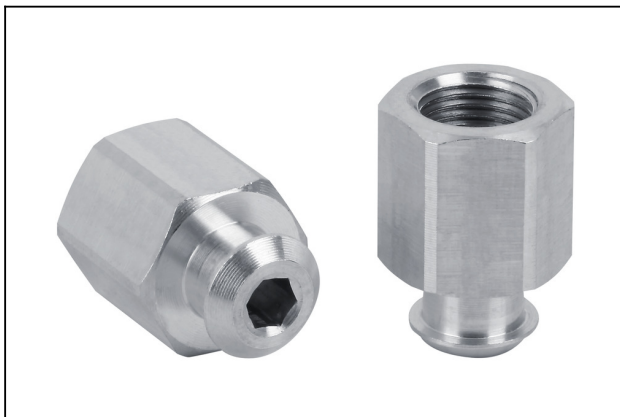
Part no.:10.01.06.04402

<https://www.schmalz.com/10.01.06.04402>



Attribute	Value
Suction force (-600mbar)	1 N
Volume	0.8 cm <sup>3</sup>
Size	15
Number of folds	1.5
Suction cup material	High temp material HT1
Material hardness [Shore A]	60.0 Shore A
Product family	SFB1

### Spare Parts



#### SC 040 G1/8-IG

Part no.10.01.06.02482

Connection element for suction cup "SchmalzConnector"

Connection geometry: 040

Vacuum connection: G1/8"-F

Overall length: 20.7 mm

Fitting length: 14 mm

Nominal diameter dn: 4.1 mm