

## Flat suction cup (round)

### SFF 15 HT1-60 M5-AG

Part no.:10.01.01.14273

<https://www.schmalz.com/10.01.01.14273>

Homepage > Vacuum Technology for Automation > Vacuum Components > Vacuum Suction Cups > Suction Cups for Plastic Films and Paper >

Suction Cups SFF / SFB1 > SFF 15 HT1-60 M5-AG

## Flat suction cup (round) for dynamic handling of thin and flexible workpieces



Size: 15

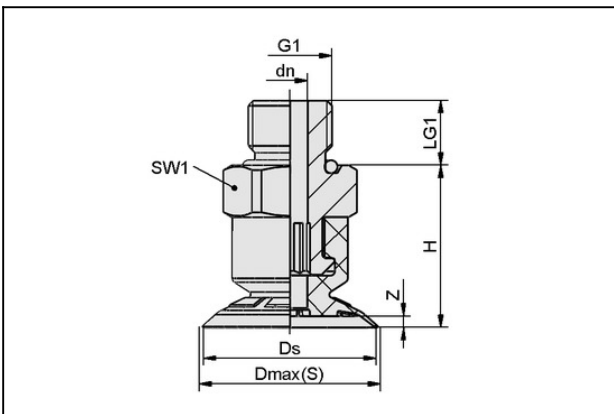
Suction cup material:

High temp material HT1

Material hardness: 60 °Sh

Thread G1: M5-M

### Design Data



Attribute	Value
Dmax(S)	16 mm
Ds	15 mm
dn	1.8 mm
G1	M5-AG
LG1	4.7 mm
H	17.5 mm
SW1	8 mm
Z (Stroke)	1 mm

### Technical Data

#### Contact to Schmalz

J. Schmalz GmbH | Johannes-Schmalz-Straße, 72293 Glatten, Deutschland | +49 7443 2403-102 | [customercenter@schmalz.de](mailto:customercenter@schmalz.de)

## Flat suction cup (round)

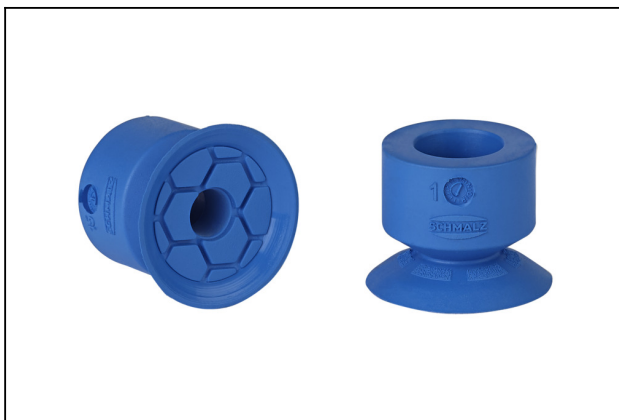
### SFF 15 HT1-60 M5-AG

Part no.:10.01.01.14273

<https://www.schmalz.com/10.01.01.14273>

Attribute	Value
Suction force (-600mbar)	6.6 N
Volume	0.6 cm <sup>3</sup>
Size	15
Number of folds	0
Suction cup material	High temp material HT1
Material hardness [Shore A]	60.0 Shore A
Weight	2.1 g
Product family	SFF

## Spare Parts



### SFF 15 HT1-60 SC040

Part no.10.01.01.14051

Flat suction cups (round) for the gentle handling of thin and flexible workpieces

Size: 15

Suction cup material:

High temp material HT1

Material hardness: 60 °Sh



### SC 040 M5-AG

Part no.10.01.06.04346

Connection element for suction cup "SchmalzConnector"

Connection geometry: 040

Vacuum connection: M5-M

Overall length: 16.4 mm

Fitting length: 5 mm

Nominal diameter dn: 1.8 mm

## Flat suction cup (round)

SFF 15 HT1-60 M5-AG

Part no.:10.01.01.14273

<https://www.schmalz.com/10.01.01.14273>

---

