

Bell suction cup (round)

SFB1 10 EPDM-45 M5-AG

Part no.:10.01.06.04392

<https://www.schmalz.com/10.01.06.04392>

Homepage > Vacuum Technology for Automation > Vacuum Components > Vacuum Suction Cups > Suction Cups for Plastic Films and Paper >

Suction Cups SFF / SFB1 > SFB1 10 EPDM-45 M5-AG

Bellows suction cup (round) for very uneven workpieces flexible workpieces



Size: 10

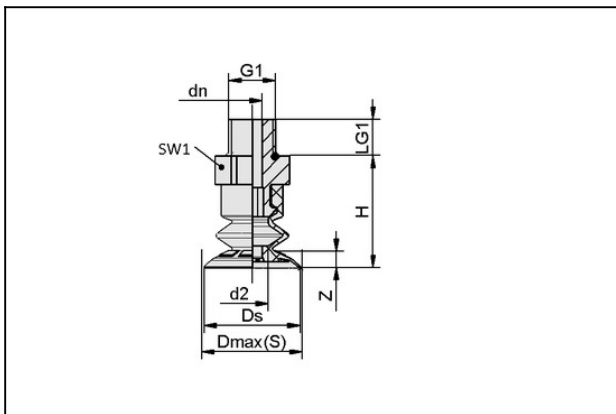
Suction cup material: EPDM

Material hardness: 45 °Sh

Thread G1: M5-M

Number of folds: 1.5

Design Data



Attribute	Value
Dmax(S)	11 mm
Ds	10 mm
d2	4.2 mm
dn	1.8 mm
G1	M5-AG
LG1	4.7 mm
H	17.3 mm
SW1	8 mm
Z (Stroke)	2.5 mm

Technical Data

Contact to Schmalz

J. Schmalz GmbH | Johannes-Schmalz-Straße, 72293 Glatten, Deutschland | +49 7443 2403-102 | customercenter@schmalz.de

Bell suction cup (round)

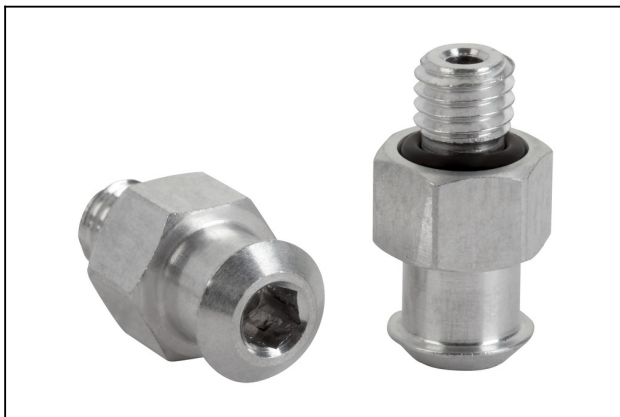
SFB1 10 EPDM-45 M5-AG

Part no.:10.01.06.04392

<https://www.schmalz.com/10.01.06.04392>

Attribute	Value
Suction force (-600mbar)	0.5 N
Volume	0.3 cm ³
Size	10
Number of folds	1.5
Suction cup material	EPDM
Material hardness [Shore A]	45 Shore A
Product family	SFB1

Spare Parts



SC 030 M5-AG

Part no.10.01.06.02802

Connection element for suction cup "SchmalzConnector"

Connection geometry: 030

Vacuum connection: M5-M

Overall length: 15.5 mm

Fitting length: 5 mm

Nominal diameter dn: 1.8 mm