

Flat suction cup (round)

SFF 10 EPDM-45 M5-AG

Part no.:10.01.01.14260

<https://www.schmalz.com/10.01.01.14260>

Homepage > Vacuum Technology for Automation > Vacuum Components > Vacuum Suction Cups > Suction Cups for Plastic Films and Paper >

Suction Cups SFF / SFB1 > SFF 10 EPDM-45 M5-AG

Flat suction cup (round) for dynamic handling of thin and flexible workpieces



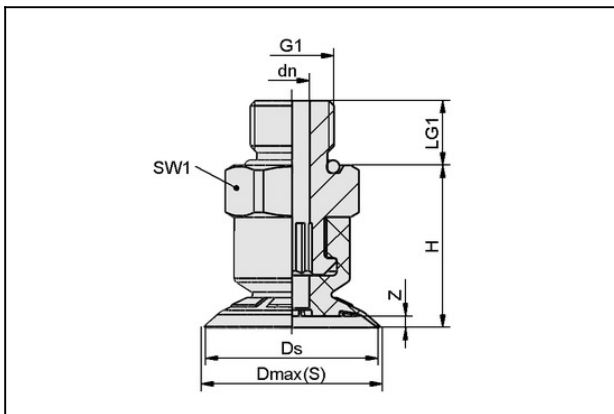
Size: 10

Suction cup material: EPDM

Material hardness: 45 °Sh

Thread G1: M5-M

Design Data



Attribute	Value
Dmax(S)	11 mm
Ds	10 mm
dn	1.8 mm
G1	M5-AG
LG1	4.7 mm
H	15.4 mm
SW1	8 mm
Z (Stroke)	0.7 mm

Technical Data

Contact to Schmalz

J. Schmalz GmbH | Johannes-Schmalz-Straße, 72293 Glatten, Deutschland | +49 7443 2403-102 | customercenter@schmalz.de

Flat suction cup (round)

SFF 10 EPDM-45 M5-AG

Part no.:10.01.01.14260

<https://www.schmalz.com/10.01.01.14260>

Attribute	Value
Suction force (-600mbar)	2.7 N
Volume	0.25 cm ³
Size	10
Number of folds	0
Suction cup material	EPDM
Material hardness [Shore A]	45.0 Shore A
Weight	1.6 g
Product family	SFF

Spare Parts



SFF 10 EPDM-45 SC030

Part no.10.01.01.14044

Flat suction cups (round) for the gentle handling of thin and flexible workpieces

Size: 10

Suction cup material: EPDM

Material hardness: 45 °Sh



SC 030 M5-AG

Part no.10.01.06.02802

Connection element for suction cup "SchmalzConnector"

Connection geometry: 030

Vacuum connection: M5-M

Overall length: 15.5 mm

Fitting length: 5 mm

Nominal diameter dn: 1.8 mm



Flat suction cup (round)

SFF 10 EPDM-45 M5-AG

Part no.:10.01.01.14260

<https://www.schmalz.com/10.01.01.14260>
