

KNUCKLE CATCH JC-24, JC-26

TEST METHOD 10



- Can be used for overlay and inset door.

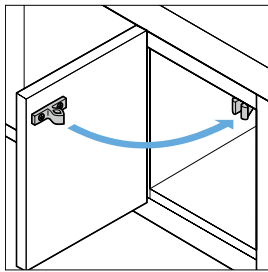
[Applications]

- Furniture, kitchen equipment and marine hardware, etc.

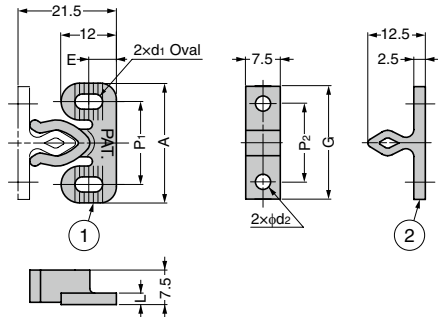
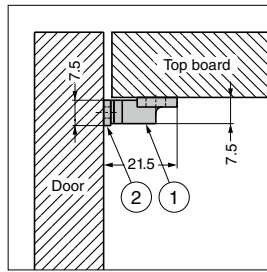
[Remarks]

- Catch force varies. Please check with actual item.
- The push-in and pulling force may vary for ±20-30%. Please check with the actual item.

[Installation]



[Application Reference]

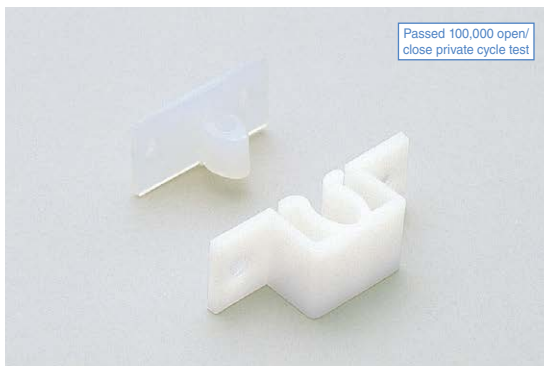


No.	Part Name	Material	Colour
①	Body	POM	Natural/Black
②	Striker	PA	

RoHS	CAD	Item Code	Item Name	A	P ₁	E	G	P ₂	L	d ₁	d ₂	Push-in Force N	Push-in Force kgf	Pulling Force N	Pulling Force kgf	Weight (g)	Box (pcs)	Carton (pcs)
✔	BD	140-050-046	JC-24	24	17	7	22	15.5	2	2.5×5.5	2.5	28	2.9	23	2.3	1.5	100	2000
✔	BD	140-916-119	JC-24B									25	2.6	21	2.1		100	2000
✔	BD	140-051-018	JC-26	26	18	6	24.5	17	2.5	3.3×6	3.3	17	1.7	13	1.3	2	100	5000

KNUCKLE CATCH (MORTISE TYPE) JCU

TEST METHOD 10

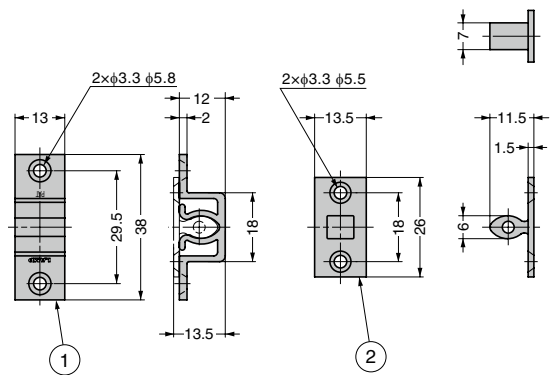
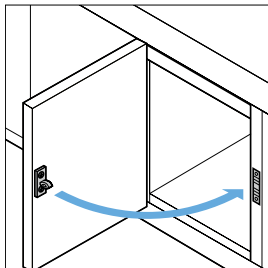


- Durable and reliable.
- For overlay doors.

[Remarks]

- The push-in force and pulling force may vary for ±20-30%.. Please check with the actual item.
- The body colour is different from the striker.

[Application Example]



No.	Part Name	Material	Colour
①	Body	POM	Natural
②	Striker	PA	

RoHS	CAD	Item Code	Item Name	Push-in Force N	Push-in Force kgf	Pulling Force N	Pulling Force kgf	Weight (g)	Box (pcs)	Carton (pcs)
✔	BD	140-051-020	JCU	18	1.8	17	1.7	3.5	50	1000