

# Flat suction cup (round)

<https://www.schmalz.com/10.01.01.10350>



## PFYN 15 NBR-AS-55 G1/8-IG

Part no.: 10.01.01.10350

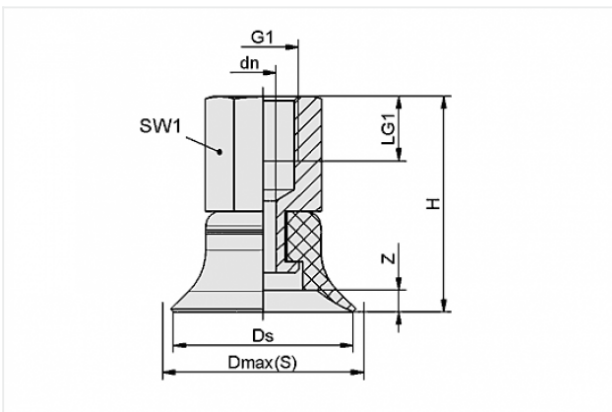
Homepage > Vacuum Technology for Automation > Vacuum Components > Vacuum Suction Cups > Flat Suction Cups (Round) > Flat Suction Cups  
PFYN > PFYN 15 NBR-AS-55 G1/8-IG

### Flat suction cup (round) for smooth or slightly rough surfaces



Size: 15  
Suction cup material:  
Nitrile rubber NBR-antistat  
Material hardness: 55 °Sh  
Nipple material: Aluminium  
Vacuum connection: G1/8"-F

### Design Data



Attribute	Value
-----------	-------

dn	2 mm
Dmax(S)	17.5 mm
Ds	15 mm
G1	G1/8"-F
H	24 mm
LG1	9 mm
SW1	14 mm
Z	1.9 mm

### Technical Data

#### Contact to Schmalz

J. Schmalz GmbH | Johannes-Schmalz-Straße, 72293 Glatten, Deutschland | +49 7443 2403-102 |  
customercenter@schmalz.de

Attribute	Value
Suction force	9 N
Volume	0.4 cm <sup>3</sup>
Curve radius (min) (convex)	12.5 mm
Internal hose diameter (recom.)	4 mm
Size	15
Number of folds	0
Suction cup material	Nitrile rubber NBR-antistat
Material hardness	55 °Sh
Weight	5.8 g
Product family	PfYN

**Note:**

- Suction force: The specified suction forces are theoretical values at a vacuum of -0.6 bar and with a smooth, dry workpiece surface - they do not include a safety factor
- Hose diameter: The recommended hose diameter refers to a hose length of approx. 2 m

**Spare Parts**



**SA-NIP N005 G1/8-IG DN200**

Part no. 10.01.01.03521

Suction cup connection nipple

Nipple: N 005

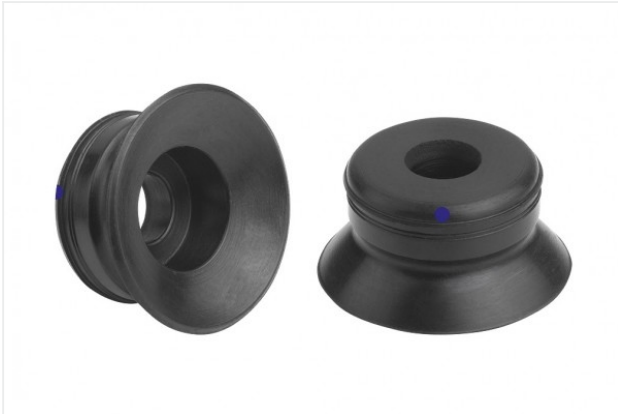
Thread G1: G1/8"-F

Overall length: 20.5 mm

Fitting length: 16 mm

Nominal size: 2.00 mm

Material: Aluminium



**PFG 15 NBR-AS-55 N005**

Part no. 10.01.01.10067

Flat suction cup (round) for smooth or slightly rough surfaces

Size: 15

Suction cup material:

Nitrile rubber NBR-antistat

Material hardness: 55 °Sh