

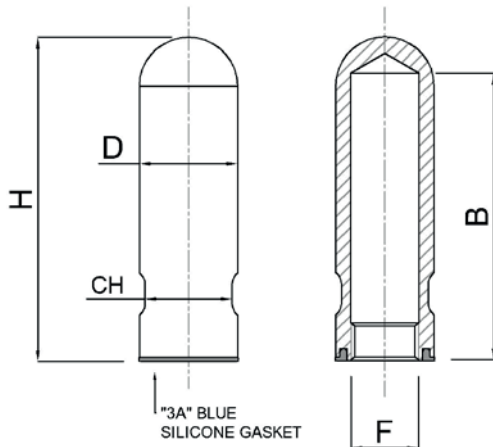
Boccola Inox 3A

ACCESSORI IGIENICI

Caratteristiche: BOCCOLA INOX IGIENICA COPRI-FILETTO

Features: HYGIENIC TOP COVER

LINEA A₃



LUCIDA - POLISHED



SCOTCH BRITE

COCODE - CODE		DIMENSIONI PRINCIPALI - MAIN DIMENSIONS				
Lucida - Polished	Scotch Brite	F	B	D	H	CH
BO-M12L/3A	BO-M12S/3A	M12	102	24	112	20
BO-M16L/3A	BO-M16S/3A	M16	102	24	112	20
BO-M20L/3A	BO-M20S/3A	M20	102	30	115	26
BO-M24L/3A	BO-M24S/3A	M24	102	35	115	30
BO-M30L/3A	BO-M30S/3A	M30	102	42	118	36

Su Richiesta:

Passo Fine
Filetto Unc & Fnc
Guarnizione NBR Nero
Aisi 316

On Request:

Fine Pitch
Unc & Fnc Thread
Black Nbr Gasket
Aisi 316

Esempio illustrativo
Example

