

Flat suction cup (round)

<https://www.schmalz.com/10.01.01.11135>



PFYN 15 HT1-60 G1/8-AG

Part no.: 10.01.01.11135

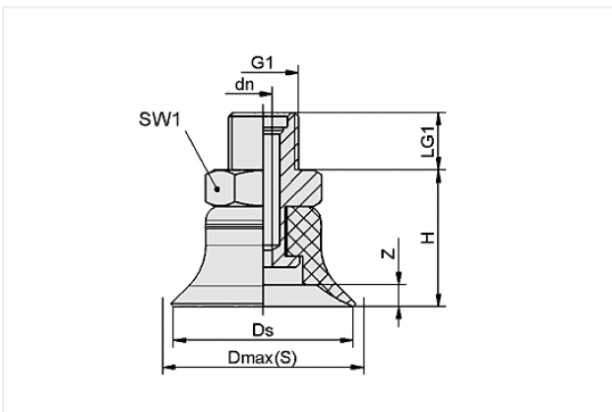
Homepage > Vacuum Technology for Automation > Vacuum Components > Vacuum Suction Cups > Flat Suction Cups (Round) > Flat Suction Cups
PFYN > PFYN 15 HT1-60 G1/8-AG

Flat suction cup (round) for smooth or slightly rough surfaces



Size: 15
Suction cup material:
High temp material HT1
Material hardness: 60 °Sh
Material property: imprint-free
Nipple material: Aluminium
Vacuum connection: G1/8"-M

Design Data



Attribute	Value
-----------	-------

dn	2 mm
Dmax(S)	17.5 mm
Ds	15 mm
G1	G1/8"-M
H	13 mm
LG1	8 mm
SW1	14 mm
Z	1.9 mm

Technical Data

Contact to Schmalz

J. Schmalz GmbH | Johannes-Schmalz-Straße, 72293 Glatten, Deutschland | +49 7443 2403-102 |
customercenter@schmalz.de

Attribute	Value
Suction force	9 N
Volume	0.4 cm ³
Curve radius (min) (convex)	12.5 mm
Internal hose diameter (recom.)	4 mm
Size	15
Number of folds	0
Suction cup material	High temp material HT1
Material hardness	60 °Sh
Weight	4.5 g
Product family	PFYN

Note:

- Suction force: The specified suction forces are theoretical values at a vacuum of -0.6 bar and with a smooth, dry workpiece surface - they do not include a safety factor
- Hose diameter: The recommended hose diameter refers to a hose length of approx. 2 m

Spare Parts



SA-NIP N005 G1/8-AG DN200

Part no. 10.01.01.03529

Suction cup connection nipple

Nipple: N 005

Thread G1: G1/8-M

Overall length: 17.5 mm

Fitting length: 5 mm

Nominal size: 2.00 mm

Material: Aluminium



PFG 15 HT1-60 N005

Part no. 10.01.01.11162

Flat suction cup (round) for smooth or slightly rough surfaces

Size: 15

Suction cup material:

High temp material HT1

Material hardness: 60 °Sh

Material property: imprint-free