

Flat suction cup (round)

<https://www.schmalz.com/10.01.01.00627>



PFG 15 SI-AS-55 N005

Part no.: 10.01.01.00627

Homepage > Vacuum Technology for Automation > Vacuum Components > Vacuum Suction Cups > Flat Suction Cups (Round) > PFG 15 SI-AS-55 N005

Flat suction cup (round) for smooth or slightly rough surfaces



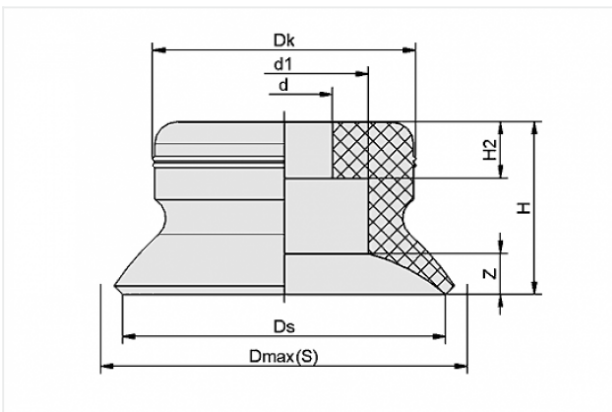
Size: 15

Suction cup material:

Silicone SI-antistatisch

Material hardness: 55 °Sh

Design Data



| Attribute | Value |
|-----------|-------|
|-----------|-------|

| | |
|---|--------|
| d | 4.5 mm |
|---|--------|

| | |
|----|--------|
| d1 | 7.8 mm |
|----|--------|

| | |
|----|---------|
| Dk | 12.2 mm |
|----|---------|

| | |
|---------|---------|
| Dmax(S) | 17.5 mm |
|---------|---------|

| | |
|----|-------|
| Ds | 15 mm |
|----|-------|

| | |
|---|------|
| H | 8 mm |
|---|------|

| | |
|----|--------|
| H2 | 2.6 mm |
|----|--------|

| | |
|---|--------|
| Z | 1.9 mm |
|---|--------|

Technical Data

Contact to Schmalz

J. Schmalz GmbH | Johannes-Schmalz-Straße, 72293 Glatten, Deutschland | +49 7443 2403-102 | customercenter@schmalz.de

| Attribute | Value |
|-----------------------------|--------------------------|
| Suction force | 9 N |
| Volume | 0.432 cm ³ |
| Curve radius (min) (convex) | 12.5 mm |
| Size | 15 |
| Nipple | N 005 |
| Number of folds | 0 |
| Suction cup material | Silicone SI-antistatisch |
| Material hardness | 55 °Sh |
| Weight | 0.7 g |
| Product family | PFG |

Accessories



SA-NIP N005 G1/8-AG DN200

Part no. 10.01.01.03529

Suction cup connection nipple

Nipple: N 005

Thread G1: G1/8-M

Overall length: 17.5 mm

Fitting length: 5 mm

Nominal size: 2.00 mm

Material: Aluminium



SA-NIP N005 G1/8-IG DN200

Part no. 10.01.01.03521

Suction cup connection nipple

Nipple: N 005

Thread G1: G1/8"-F

Overall length: 20.5 mm

Fitting length: 16 mm

Nominal size: 2.00 mm

Material: Aluminium