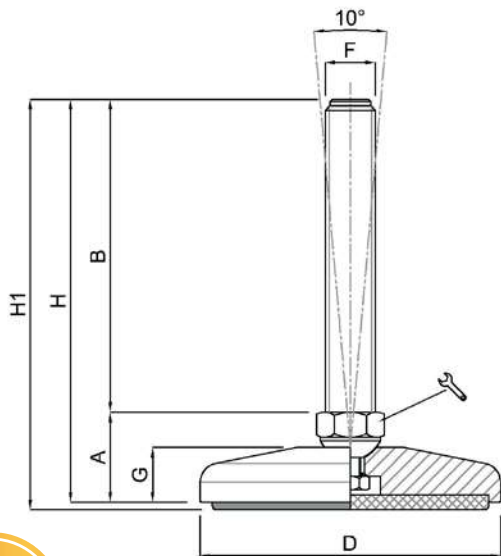


Caratteristiche: BASE DAL PIENO Ø 159, STELO SNODATO 10°

Features: SOLID STEEL BASE Ø 159, 10° ARTICULATED STEM



| CODICE - CODE | | descrizione description | DIMENSIONI PRINCIPALI - MAIN DIMENSIONS | | | | | | | | CARICO STATICO STATIC LOAD NEWTON |
|----------------------|-------------------------|----------------------------|---|-----|-------|----|-----|----|-----|-----|---|
| standard standard | antiscivolo antislip | | A | B | D | | F | G | H | H1 | |
| 11442 | 11443 | M20X100 | 36 | 100 | Ø 159 | 24 | M20 | 23 | 136 | 139 | 50000 |
| 11446 | 11447 | M20X150 | 36 | 150 | Ø 159 | 24 | M20 | 23 | 186 | 189 | 50000 |
| 11450 | 11451 | M20X200 | 36 | 200 | Ø 159 | 24 | M20 | 23 | 236 | 239 | 50000 |
| 11452 | 11453 | M20X225 | 36 | 225 | Ø 159 | 24 | M20 | 23 | 261 | 264 | 50000 |
| 11442/24 | 11443/24 | M24X100 | 36 | 100 | Ø 159 | 24 | M24 | 23 | 136 | 139 | 60000 |
| * 11446/24 | 11447/24 | M24X150 | 36 | 150 | Ø 159 | 24 | M24 | 23 | 186 | 189 | 60000 |
| * 11450/24 | 11451/24 | M24X200 | 36 | 200 | Ø 159 | 24 | M24 | 23 | 236 | 239 | 60000 |
| 11452/24 | 11453/24 | M24X225 | 36 | 225 | Ø 159 | 24 | M24 | 23 | 261 | 264 | 60000 |
| 11442/30 | 11443/30 | M30X100 | 38 | 100 | Ø 159 | 30 | M30 | 23 | 138 | 141 | 70000 |
| * 11446/30 | 11447/30 | M30X150 | 38 | 150 | Ø 159 | 30 | M30 | 23 | 188 | 191 | 70000 |
| * 11450/30 | 11451/30 | M30X200 | 38 | 200 | Ø 159 | 30 | M30 | 23 | 238 | 241 | 70000 |
| 11452/30 | 11453/30 | M30X225 | 38 | 225 | Ø 159 | 30 | M30 | 23 | 263 | 266 | 70000 |

* Disponibile con Filettatura a passo fine. Aggiungere "/P2" al codice
Available with Thin pitch thread. Please, add "/P2" to the code



| CODICE - CODE | | descrizione description | DIMENSIONI PRINCIPALI - MAIN DIMENSIONS | | | | | | | | CARICO STATICO STATIC LOAD NEWTON |
|----------------------|-------------------------|----------------------------|---|-----|-------|----|-----|----|-----|-----|---|
| standard standard | antiscivolo antislip | | A | B | D | | F | G | H | H1 | |
| 11466 | 11467 | M20X100 | 36 | 100 | Ø 159 | 24 | M20 | 23 | 136 | 139 | 50000 |
| 11470 | 11471 | M20X150 | 36 | 150 | Ø 159 | 24 | M20 | 23 | 186 | 189 | 50000 |
| 11474 | 11475 | M20X200 | 36 | 200 | Ø 159 | 24 | M20 | 23 | 236 | 239 | 50000 |
| 11476 | 11477 | M20X225 | 36 | 225 | Ø 159 | 24 | M20 | 23 | 261 | 264 | 50000 |
| 11466/24 | 11467/24 | M24X100 | 36 | 100 | Ø 159 | 24 | M24 | 23 | 136 | 139 | 60000 |
| * 11470/24 | 11471/24 | M24X150 | 36 | 150 | Ø 159 | 24 | M24 | 23 | 186 | 189 | 60000 |
| * 11474/24 | 11475/24 | M24X200 | 36 | 200 | Ø 159 | 24 | M24 | 23 | 236 | 239 | 60000 |
| 11476/24 | 11477/24 | M24X225 | 36 | 225 | Ø 159 | 24 | M24 | 23 | 261 | 264 | 60000 |
| 11466/30 | 11467/30 | M30X100 | 38 | 100 | Ø 159 | 30 | M30 | 23 | 138 | 141 | 70000 |
| * 11470/30 | 11471/30 | M30X150 | 38 | 150 | Ø 159 | 30 | M30 | 23 | 188 | 191 | 70000 |
| * 11474/30 | 11475/30 | M30X200 | 38 | 200 | Ø 159 | 30 | M30 | 23 | 238 | 241 | 70000 |
| 11476/30 | 11477/30 | M30X225 | 38 | 225 | Ø 159 | 30 | M30 | 23 | 263 | 266 | 70000 |

* Disponibile con Filettatura a passo fine. Aggiungere "/P2" al codice
Available with Thin pitch thread. Please, add "/P2" to the code