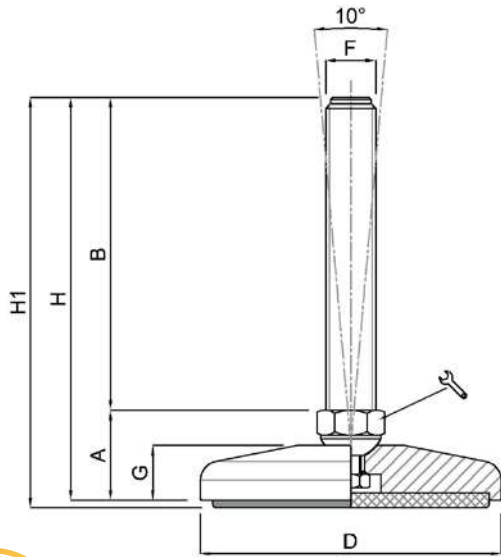


Piede in Acciaio Verniciato & Zincato

CARICHI PESANTI

Caratteristiche: BASE DAL PIENO Ø 100, STELO SNODATO 10°

Features: SOLID STEEL BASE Ø 100, 10° ARTICULATED STEM



CODICE - CODE		descrizione description	DIMENSIONI PRINCIPALI - MAIN DIMENSIONS								CARICO STATICO STATIC LOAD NEWTON
standard standard	antiscivolo antislip		A	B	D		F	G	H	H1	
11346	11347	M20X100	34	100	Ø 100	24	M20	20	134	137	40000
11350	11351	M20X150	34	150	Ø 100	24	M20	20	184	187	40000
11354	11355	M20X200	34	200	Ø 100	24	M20	20	234	237	40000
11356	11357	M20X225	34	225	Ø 100	24	M20	20	259	262	40000
11346/24	11347/24	M24X100	34	100	Ø 100	24	M24	20	134	137	45000
* 11350/24	11351/24	M24X150	34	150	Ø 100	24	M24	20	184	187	45000
* 11354/24	11355/24	M24X200	34	200	Ø 100	24	M24	20	234	237	45000
11356/24	11357/24	M24X225	34	225	Ø 100	24	M24	20	259	262	45000
11346/30	11347/30	M30X100	34	100	Ø 100	30	M30	20	134	137	50000
* 11350/30	11351/30	M30X150	34	150	Ø 100	30	M30	20	184	187	50000
* 11354/30	11355/30	M30X200	34	200	Ø 100	30	M30	20	234	237	50000
11356/30	11357/30	M30X225	34	225	Ø 100	30	M30	20	259	262	50000

* Disponibile con Filettatura a passo fine. Aggiungere "/P2" al codice
Available with Thin pitch thread. Please, add "/P2" to the code



CODICE - CODE		descrizione description	DIMENSIONI PRINCIPALI - MAIN DIMENSIONS								CARICO STATICO STATIC LOAD NEWTON
standard standard	antiscivolo antislip		A	B	D		F	G	H	H1	
11370	11371	M20X100	34	100	Ø 100	24	M20	20	134	137	40000
11374	11375	M20X150	34	150	Ø 100	24	M20	20	184	187	40000
11378	11379	M20X200	34	200	Ø 100	24	M20	20	234	237	40000
11380	11381	M20X225	34	225	Ø 100	24	M20	20	259	262	40000
11370/24	11371/24	M24X100	34	100	Ø 100	24	M24	20	134	137	45000
* 11374/24	11375/24	M24X150	34	150	Ø 100	24	M24	20	184	187	45000
* 11378/24	11379/24	M24X200	34	200	Ø 100	24	M24	20	234	237	45000
11380/24	11381/24	M24X225	34	225	Ø 100	24	M24	20	259	262	45000
11370/30	11371/30	M30X100	36	100	Ø 100	30	M30	20	136	139	50000
* 11374/30	11375/30	M30X150	36	150	Ø 100	30	M30	20	186	189	50000
* 11378/30	11379/30	M30X200	36	200	Ø 100	30	M30	20	236	239	50000
11380/30	11381/30	M30X225	36	225	Ø 100	30	M30	20	261	264	50000

* Disponibile con Filettatura a passo fine. Aggiungere "/P2" al codice
Available with Thin pitch thread. Please, add "/P2" to the code