

Flat suction cup (round)

<https://www.schmalz.com/10.01.01.00011>



PFG 15 NBR-55 N005

Part no.: 10.01.01.00011

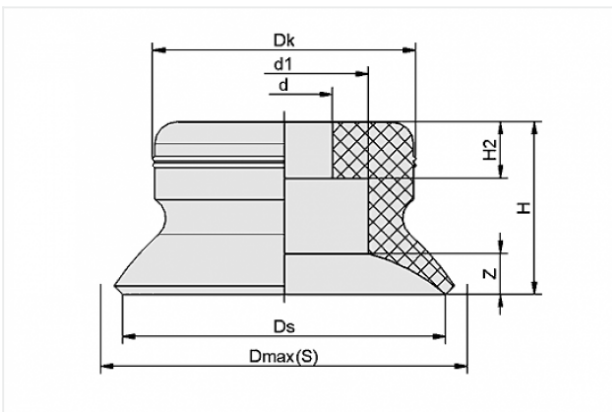
Homepage > Vacuum Technology for Automation > Vacuum Components > Vacuum Suction Cups > Flat Suction Cups (Round) > PFG 15 NBR-55 N005

Flat suction cup (round) for smooth or slightly rough surfaces



Size: 15
Suction cup material:
Nitrile rubber NBR
Material hardness: 55 °Sh

Design Data



Attribute	Value
-----------	-------

d	4.5 mm
---	--------

d1	7.8 mm
----	--------

Dk	12.2 mm
----	---------

Dmax(S)	17.5 mm
---------	---------

Ds	15 mm
----	-------

H	8 mm
---	------

H2	2.6 mm
----	--------

Z	1.9 mm
---	--------

Technical Data

Contact to Schmalz

J. Schmalz GmbH | Johannes-Schmalz-Straße, 72293 Glatten, Deutschland | +49 7443 2403-102 | customercenter@schmalz.de

Attribute	Value
Suction force	9 N
Volume	0.432 cm ³
Curve radius (min) (convex)	12.5 mm
Size	15
Nipple	N 005
Number of folds	0
Suction cup material	Nitrile rubber NBR
Material hardness	55 °Sh
Weight	0.7 g
Product family	PFG

Accessories



SA-NIP N005 G1/8-AG DN200

Part no. 10.01.01.03529

Suction cup connection nipple

Nipple: N 005

Thread G1: G1/8-M

Overall length: 17.5 mm

Fitting length: 5 mm

Nominal size: 2.00 mm

Material: Aluminium



SA-NIP N005 G1/8-IG DN200

Part no. 10.01.01.03521

Suction cup connection nipple

Nipple: N 005

Thread G1: G1/8"-F

Overall length: 20.5 mm

Fitting length: 16 mm

Nominal size: 2.00 mm

Material: Aluminium