

# Suction cup connection nipple

## SA-NIP N005 G1/8-IG DN200

<https://www.schmalz.com/10.01.01.03521>



Part no.: 10.01.01.03521

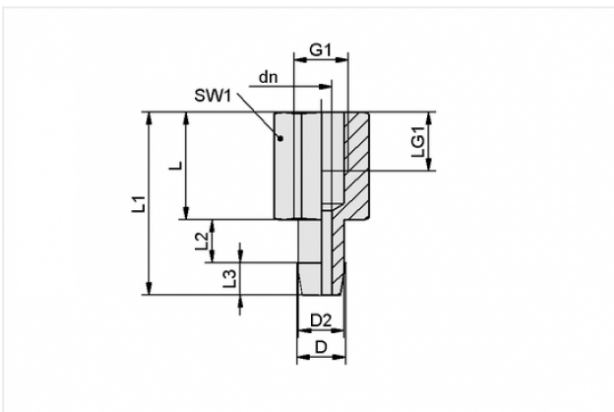
Homepage > Vacuum Technology for Automation > Vacuum Components > Vacuum Suction Cups > Suction Cups for Packaging > SA-NIP N005 G1/8-IG DN200

## Suction cup connection nipple



Nipple: N 005  
Thread G1: G1/8"-F  
Overall length: 20.5 mm  
Fitting length: 16 mm  
Nominal size: 2.00 mm  
Material: Aluminium

## Design Data



Attribute	Value
dn	2 mm
D	8 mm
D2	5 mm
G1	G1/8"-F
L	16 mm
L1	20.5 mm
L2	2.5 mm
L3	2 mm
LG1	9 mm
SW1	14 mm

## Contact to Schmalz

J. Schmalz GmbH | Johannes-Schmalz-Straße, 72293 Glatten, Deutschland | +49 7443 2403-102 | [customercenter@schmalz.de](mailto:customercenter@schmalz.de)

## Technical Data

Attribute	Value
Nipple	N 005
Material	Aluminium
Weight	5.3 g

## Accessories



### **PFG 15 FPM-65 N005**

Part no. 10.01.01.00071

Flat suction cup (round) for smooth or slightly rough surfaces

Size: 15

Suction cup material:

Fluorocautchuc FPM

Material hardness: 65 °Sh

Material property: imprint-free



### **PFG 15 HT1-60 N005**

Part no. 10.01.01.11162

Flat suction cup (round) for smooth or slightly rough surfaces

Size: 15

Suction cup material:

High temp material HT1

Material hardness: 60 °Sh

Material property: imprint-free



**PFG 15 NBR-55 N005**

Part no. 10.01.01.00011

Flat suction cup (round) for smooth or slightly rough surfaces

Size: 15

Suction cup material:

Nitrile rubber NBR

Material hardness: 55 °Sh



**PFG 15 NBR-AS-55 N005**

Part no. 10.01.01.10067

Flat suction cup (round) for smooth or slightly rough surfaces

Size: 15

Suction cup material:

Nitrile rubber NBR-antistat

Material hardness: 55 °Sh



**PFG 15 PU-55 N005**

Part no. 10.01.01.00051

Flat suction cup (round) for smooth or slightly rough surfaces

Size: 15

Suction cup material: Polyurethane PU

Material hardness: 55 °Sh



**PFG 15 SI-55 N005**

Part no. 10.01.01.00031

Flat suction cup (round) for smooth or slightly rough surfaces

Size: 15

Suction cup material: Silicone SI

Material hardness: 55 °Sh

Material characteristics:

FDA-compatible



**PFG 15 SI-AS-55 N005**

Part no. 10.01.01.00627

Flat suction cup (round) for smooth or slightly rough surfaces

Size: 15

Suction cup material:

Silicone SI-antistatisch

Material hardness: 55 °Sh