

# Flat suction cup (round)

<https://www.schmalz.com/10.01.01.00285>



PFYN 10 SI-55 G1/8-AG

Part no.: 10.01.01.00285

Homepage > Vacuum Technology for Automation > Vacuum Components > Vacuum Suction Cups > Flat Suction Cups (Round) > Flat Suction Cups

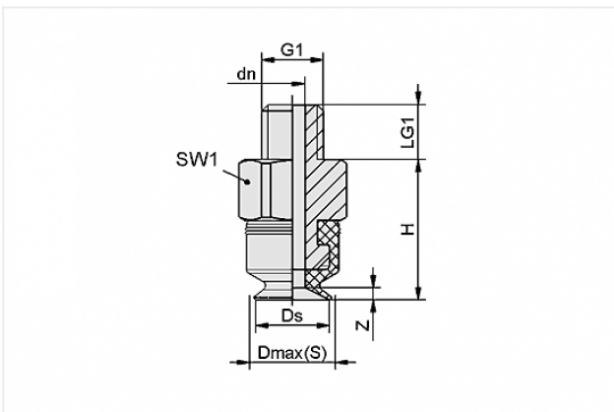
PFYN > PFYN 10 SI-55 G1/8-AG

## Flat suction cup (round) for smooth or slightly rough surfaces



Size: 10  
Suction cup material: Silicone SI  
Material hardness: 55 °Sh  
Material characteristics:  
FDA-compatible  
Nipple material: Aluminium  
Vacuum connection: G1/8"-M

### Design Data



Attribute	Value
-----------	-------

dn	2 mm
Dmax(S)	11.5 mm
Ds	10 mm
G1	G1/8"-M
H	12.5 mm
LG1	8 mm
SW1	14 mm
Z	1.4 mm

### Technical Data

#### Contact to Schmalz

J. Schmalz GmbH | Johannes-Schmalz-Straße, 72293 Glatten, Deutschland | +49 7443 2403-102 | [customercenter@schmalz.de](mailto:customercenter@schmalz.de)

Attribute	Value
Suction force	4 N
Volume	0.07 cm <sup>3</sup>
Curve radius (min) (convex)	12.5 mm
Internal hose diameter (recom.)	4 mm
Size	10
Number of folds	0
Suction cup material	Silicone SI
Material hardness	55 °Sh
Weight	4.1 g
Product family	PFYN

**Note:**

- Suction force: The specified suction forces are theoretical values at a vacuum of -0.6 bar and with a smooth, dry workpiece surface - they do not include a safety factor
- Hose diameter: The recommended hose diameter refers to a hose length of approx. 2 m

**Spare Parts**



**SA-NIP N004 G1/8-AG DN200**

Part no. 10.01.01.03528

Suction cup connection nipple

Nipple: N 004

Thread G1: G1/8"-M

Overall length: 17 mm

Fitting length: 5 mm

Nominal size: 2.00 mm

Material: Aluminium



**PFG 10 SI-55 N004**

Part no. 10.01.01.00030

Flat suction cup (round) for smooth or slightly rough surfaces

Size: 10

Suction cup material: Silicone SI

Material hardness: 55 °Sh

Material characteristics:

FDA-compatible