

## Robot kit ROB-SET YASKAWA

Part no.:10.03.01.00509

<https://www.schmalz.com/10.03.01.00509>

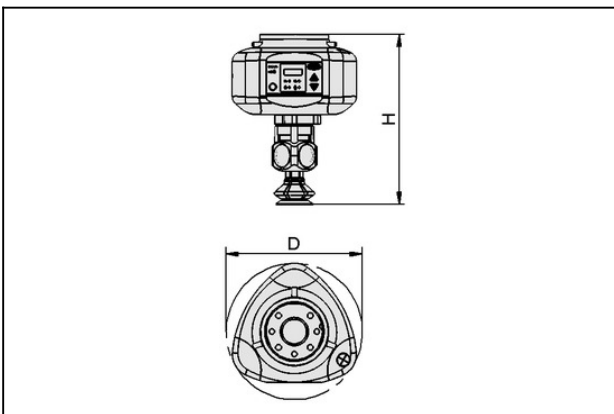
Homepage > Vacuum Technology for Automation > Vacuum Components > Vacuum Generators > Electrical Vacuum Generators > Robot Set  
ECBPI > ROB-SET YASKAWA

### Complete set for connecting and integrating the CobotPump ECBPi to lightweight robots



for: YASKAWA  
Type: HC10DT

#### Design Data



Attribute	Value
H	205.2 mm
D	151.5 mm

#### Technical Data

Attribute	Value
Suction rate (max.)	12 l/min
Rated power	13 W

#### Contact to Schmalz

J. Schmalz GmbH | Johannes-Schmalz-Straße, 72293 Glatten, Deutschland | +49 7443 2403-102 | [customercenter@schmalz.de](mailto:customercenter@schmalz.de)

## Robot kit ROB-SET YASKAWA

Part no.:10.03.01.00509

<https://www.schmalz.com/10.03.01.00509>



Attribute	Value
Rated current	0.6 A
Operating temperature	5 ... 45 °C
for	YASKAWA
for	EMPTY VALUE

The technical properties of the robot types may vary by region. The stated compatibility of the set is based on standard European models.

### Spare Parts



#### **SPF 40 ED-65 G1/4-AG**

Part no.10.01.01.13246

Flat suction cup (round) for dynamic handling of cardboard and rigid packaging

Size: 40

Suction cup material: Elastodur

Material hardness: 65 °Sh

Thread G1: G1/4"-M



#### **SPB1 40 ED-65 G1/4-AG**

Part no.10.01.06.03498

Bellows suction cup (round) for very uneven workpieces

Size: 40

Suction cup material: Elastodur

Material hardness: 65 °Sh

Thread G1: G1/4"-M

Number of folds: 1.5

### Accessories

#### Contact to Schmalz

J. Schmalz GmbH | Johannes-Schmalz-Straße, 72293 Glatten, Deutschland | +49 7443 2403-102 | [customercenter@schmalz.de](mailto:customercenter@schmalz.de)

## Robot kit ROB-SET YASKAWA

Part no.:10.03.01.00509

<https://www.schmalz.com/10.03.01.00509>



### **VEE 2xSPB1/SPF 154.3x42.3**

Part no.10.01.36.00268

Assembled Vacuum End Effector VEE

Number of cups: 2

Suct. cups: Suction cup SPB1/SPF

Length L: 154.3 mm

Width B: 42.3 mm



### **VEE 4xSPB1/SPF 218.3**

Part no.10.01.36.00269

Assembled Vacuum End Effector VEE

Number of cups: 4

Suct. cups: Suction cup SPB1/SPF

Length L: 218.3 mm



### **VEE SET-ECBPI**

Part no.10.01.36.00266

120 piece starter set for setup of up to two VEE vacuum end effectors

with: VEE-Set CobotPump