

Robot kit ROB-SET OMRON

Part no.:10.03.01.00544

<https://www.schmalz.com/10.03.01.00544>

Homepage > Vacuum Technology for Automation > Vacuum Components > Vacuum Generators > Electrical Vacuum Generators > Robot Set
ECBPI > ROB-SET OMRON

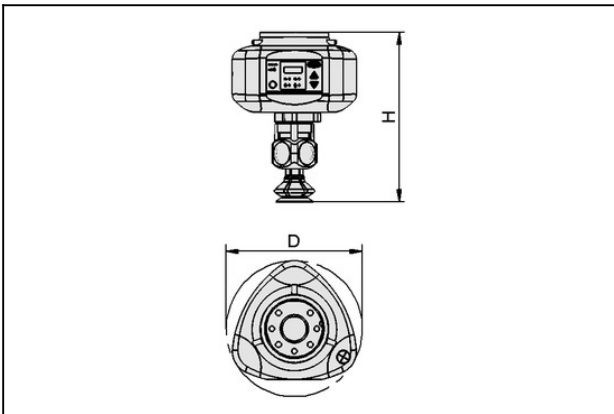
Complete set for connecting and integrating the CobotPump ECBPi to lightweight robots



for: Omron

Type: TM5, TM12, TM14

Design Data



Attribute	Value
H	202.6 mm
D	151.5 mm

Technical Data

Attribute	Value
Suction rate (max.)	12 l/min
Operating temperature	0 ... 45 °C

Contact to Schmalz

J. Schmalz GmbH | Johannes-Schmalz-Straße, 72293 Glatten, Deutschland | +49 7443 2403-102 | customercenter@schmalz.de

Robot kit ROB-SET OMRON

Part no.:10.03.01.00544

<https://www.schmalz.com/10.03.01.00544>



Attribute	Value
for	OMRON
for	Omron

The technical properties of the robot types may vary by region. The stated compatibility of the set is based on standard European models.

Spare Parts



SPF 40 ED-65 G1/4-AG

Part no.10.01.01.13246

Flat suction cup (round) for dynamic handling of cardboard and rigid packaging

Size: 40

Suction cup material: Elastodur

Material hardness: 65 °Sh

Thread G1: G1/4"-M



SPB1 40 ED-65 G1/4-AG

Part no.10.01.06.03498

Bellows suction cup (round) for very uneven workpieces

Size: 40

Suction cup material: Elastodur

Material hardness: 65 °Sh

Thread G1: G1/4"-M

Number of folds: 1.5

Accessories

Contact to Schmalz

J. Schmalz GmbH | Johannes-Schmalz-Straße, 72293 Glatten, Deutschland | +49 7443 2403-102 | customercenter@schmalz.de

Robot kit ROB-SET OMRON

Part no.:10.03.01.00544

<https://www.schmalz.com/10.03.01.00544>



VEE 2xSPB1/SPF 154.3x42.3

Part no.10.01.36.00268

Assembled Vacuum End Effector VEE

Number of cups: 2

Suct. cups: Suction cup SPB1/SPF

Length L: 154.3 mm

Width B: 42.3 mm



VEE 4xSPB1/SPF 218.3

Part no.10.01.36.00269

Assembled Vacuum End Effector VEE

Number of cups: 4

Suct. cups: Suction cup SPB1/SPF

Length L: 218.3 mm



VEE SET-ECBPI

Part no.10.01.36.00266

120 piece starter set for setup of up to two VEE vacuum end effectors

with: VEE-Set CobotPump