

# Mini compact ejector

## SCPMc 10 S04 NO M8-6 NPN AA9

Part no.:10.02.02.05750

<https://www.schmalz.com/10.02.02.05750>

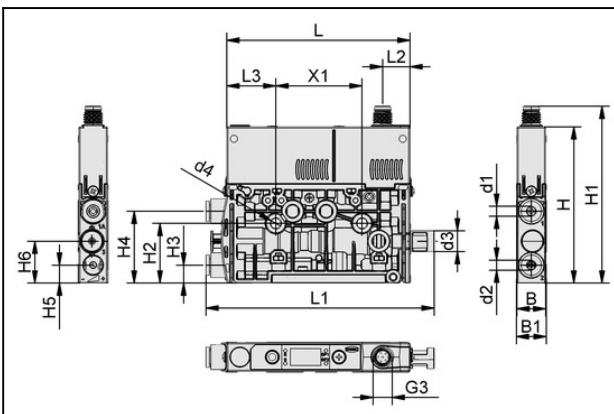
Homepage > Vacuum Technology for Automation > Vacuum Components > Vacuum Generators > Compact ejectors > Compact Ejectors SCPM  
/ SCPMc / SCPMi > SCPMc 10 S04 NO M8-6 NPN AA9

### Mini Compact Ejector with air-saving function and display with



Nozzle size: 1,0 mm  
 Connection: Hose D6(1)-D6(2)  
 Suction rate (max): 28 l/min  
 Air consumption (during evac.):  
 45 l/min  
 Noise level (free): 71 dB  
 Pressure range (operating pressure):  
 3.0 ... 6.0 bar  
 Vacuum (max): 870 mbar  
 Control: Normally open  
 Electrical connection:  
 Male connect M8, 6 pole  
 Type: Switches to minus  
 Protection: IP 40

### Design Data



| Attribute | Value   |
|-----------|---------|
| B         | 12 mm   |
| B1        | 12.5 mm |
| d1        | 6.2 mm  |
| d2        | 6.2 mm  |
| d3        | 9 mm    |
| d4        | 4.3 mm  |
| G3        | M8x1-M  |
| H         | 65.3 mm |
| H1        | 73.9 mm |

# Mini compact ejector

## SCPMc 10 S04 NO M8-6 NPN AA9

Part no.:10.02.02.05750

<https://www.schmalz.com/10.02.02.05750>



| Attribute | Value    |
|-----------|----------|
| H2        | 24.95 mm |
| H3        | 7.5 mm   |
| H4        | 30 mm    |
| H5        | 7.5 mm   |
| H6        | 17.5 mm  |
| L         | 76.5 mm  |
| L1        | 98.3 mm  |
| L2        | 11.4 mm  |
| L3        | 20.5 mm  |
| X1        | 36 mm    |

---

### Technical Data

| Attribute                                     | Value           |
|---|-----------------|
| Nozzle size                                   | 1 mm            |
| Construction shape vacuum switch              | Switches to -   |
| Control valve                                 | NO              |
| Electrical connection                         | M8-6            |
| Degree of evacuation                          | 87 %            |
| Suction rate (max.)                           | 28 l/min        |
| Air consumption suction                       | 45 l/min        |
| Max. air consumption blow off                 | 10 l/min        |
| Max. vacuum                                   | 870 mbar        |
| Pressure optimal                              | 4.5 bar         |
| Pressure range (operating pressure)           | 3.0 ... 6.0 bar |
| Recomm. internal hose diameter compressed air | 4 mm            |

#### Contact to Schmalz

J. Schmalz GmbH | Johannes-Schmalz-Straße, 72293 Glatten, Deutschland | +49 7443 2403-102 | [customercenter@schmalz.de](mailto:customercenter@schmalz.de)

# Mini compact ejector

## SCPMc 10 S04 NO M8-6 NPN AA9

Part no.:10.02.02.05750

<https://www.schmalz.com/10.02.02.05750>



| Attribute                             | Value       |
|---------------------------------------|-------------|
| Recomm. internal hose diameter vacuum | 4 mm        |
| Operating temperature                 | 0 ... 50 °C |
| Weight                                | 70 g        |
| Product family                        | SCPMc       |

### Spare Parts



#### SD-EINS 6.4x21.8 SCPM

Part no.10.02.02.05806

Silencer insert

External diameter D: 6.4 mm

Length L: 21.8 mm

for: Compact ejectors SCP

### Accessories



#### ASK WB-M8-6 2000 K-6P

Part no.21.04.05.00488

Connection cable

Cable length: 2000 mm

## Mini compact ejector

SCPMc 10 S04 NO M8-6 NPN AA9

Part no.:10.02.02.05750

<https://www.schmalz.com/10.02.02.05750>



### ASK WB-M8-6 2000 S-M12-5

Part no.21.04.05.00489

Connection cable

Cable length: 2000 mm



### ASK B-M8-6 5000 K-6P

Part no.21.04.05.00255

Connection cable

Interface Connection 1:

Fem connect M8, 6 pol

Cable length: 5000 mm

Interface Connection 2: Cable 6

Material: PUR-Cable



### ASV SCPMi B-M8-6 2xS-M12-4

Part no.10.02.02.05602

Connection distributor

for: SCPMi

Interface Connection 2:

2xConnect M12, 4 pol

Length L: 1000 mm

## Mini compact ejector

SCPMc 10 S04 NO M8-6 NPN AA9

Part no.:10.02.02.05750

<https://www.schmalz.com/10.02.02.05750>



### **HUT-SN-KL 50x14x7 SCPMi/c/b**

Part no.10.02.02.05805

Top-hat rail clamp comp.

Length L: 50 mm

Width B: 14 mm

Height H: 7 mm

for: Comp. ejectors SCPMi/c/b



### **BEF-WIN 15x50x36.1 1.5 SCPM**

Part no.10.02.02.05824

Mounting bracket

Width B: 15 mm

Height H: 50 mm

Length L: 36.1 mm

Wall thickness s: 1.5 mm

for: Compact ejectors SCP



### **STV-GE M5-AG 4**

Part no.10.08.02.00468

Push-in Fitting, straight

Thread G1: M5-M

External hose diameter: 4 mm

Material: Brass

Surface: nickel plated

## Mini compact ejector

SCPMc 10 S04 NO M8-6 NPN AA9

Part no.:10.02.02.05750

<https://www.schmalz.com/10.02.02.05750>



### STV-GE M7-AG 6

Part no.10.08.02.00469

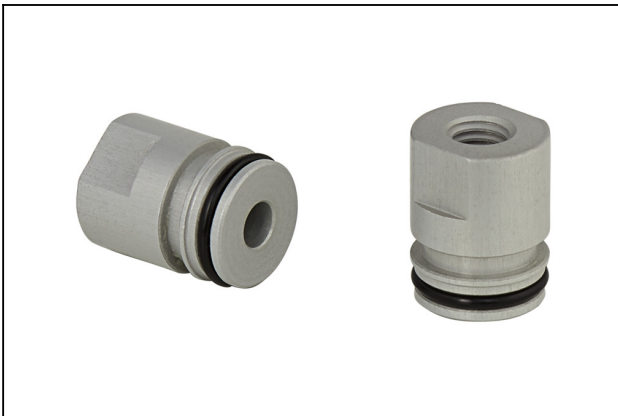
Push-in Fitting, straight

Thread G1: M7-M

External hose diameter: 6 mm

Material: Brass

Surface: nickel plated



### ADP-G M5-IG 10.8x6 SCPMi/c/b

Part no.10.02.02.05778

Thread adapter (inst)

Thread G1: M5-F

External diameter D: 10.8 mm

Length L: 6 mm

for: Comp. ejectors SCPMi/c/b



### ADP-G M7-IG 10.8x7.9 SCPMi/c/b

Part no.10.02.02.05522

Thread adapter (inst)

Thread G1: M7-F

External diameter D: 10.8 mm

Length L: 7.9 mm

for: Comp. ejectors SCPMi/c/b