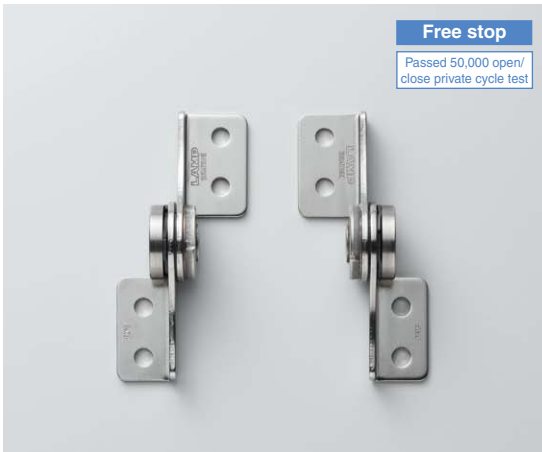


# TORQUE HINGE HG-TC45H



- With wire hole.
- Excellent durability.

**[Specifications]**

- Operating temperature: 0°C -40°C

**[Applications]**

- LCD, monitoring camera, etc.

**[Remarks]**

- Be sure to read the "Cautions" **1**.
- For pair using: Please use the same torque in both hinges.
- When installing, ensure that both hinge shafts are levelled and aligned.

**S**election Tool  
**Sasuga-kun**  
 Applicable Products  
 Used for Product Selection & Simulation.  
 Available on Web!

TORQUE HINGES

DAMPER HINGES

LIFT ASSIST HINGES

DETENT HINGES

CONCEALED HINGES

BUTT HINGES

PIANO HINGES

STEP HINGES

LIFT-OFF HINGES

PIVOT HINGES

SPRING HINGES

CLEAN ROOM HINGES

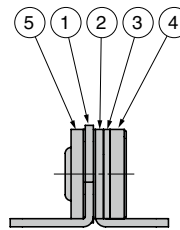
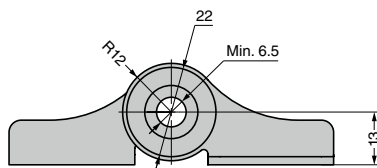
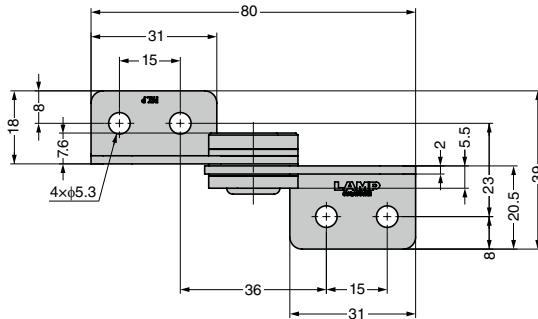
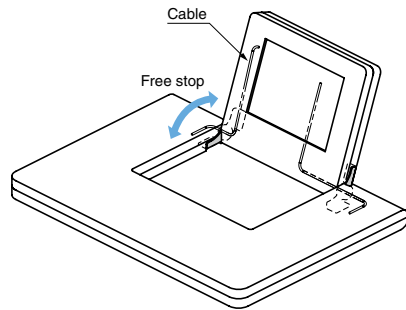
HINGES FOR ALUMINIUM FRAME

DROP HINGES

GLASS DOOR HINGES

SPECIAL HINGES

**[Application Example]**



Left-handed type shown. Right-handed type is symmetrical.

No.	Part Name	Material	Finish / Colour
①	Bracket	Stainless Steel (SUS430)	Barrel Polished
②	Base		
③	Spring Washer	Steel	-
④	Shaft	Stainless Steel (SUS303)	-
⑤	Washer	Stainless Steel (SUS430)	Barrel Polished

RoHS	CAD	Item Code	Item Name	Description	Type	Torque N·m/pc	Torque kgf·cm/pc	Weight (g)	Box (pcs)	Carton (pcs)
		170-034-217	HG-TC45HR	With wire hole	Right-handed	4.5 ± 20%	45.9 ± 20%	60	20	160
		170-034-218	HG-TC45HL		Left-handed				20	160

Refer to **1** : P.15