

TORQUE HINGE

STAINLESS 430 STEEL

HG-TA



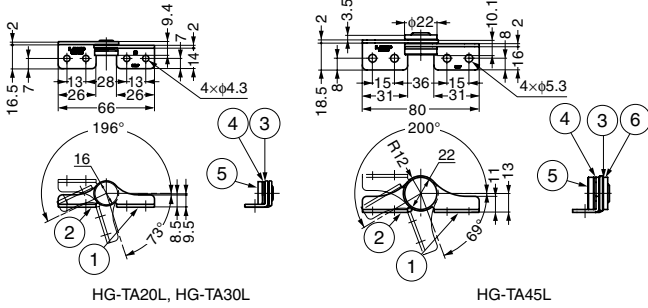
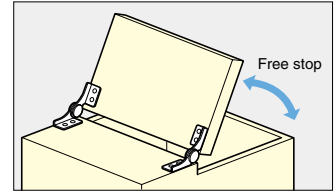
Remarks

- Operating temperature : 0° - 40°
- For pair using: Please use the same torque moment in both hinges.

Video Link



Application Example



HG-TA20L, HG-TA30L

HG-TA45L

Left-handed type shown.

No.	Part Name	Material	Finish
①	Body	Stainless Steel (SUS430)	Mirror
②	Base	Stainless Steel (SUS430)	Mirror
③	Plate	Bronze	-
④	Spring Washer	Steel	-
⑤	Shaft	Stainless Steel (SUS303)	-
⑥	Washer	Stainless Steel (SUS303)	Mirror

*HG-TA45: ③×2pcs

Item Code	Item Name	Type	Torque Moment		Weight	Box	Carton
170-012-403	HG-TA20R	Right	2.0±20% N·m	20.4±20% kgf·cm	33 g	40 pcs	320 pcs
170-012-404	HG-TA20L	Left	2.0±20% N·m	20.4±20% kgf·cm	33 g	40 pcs	320 pcs
170-012-405	HG-TA30R	Right	3.0±20% N·m	30.6±20% kgf·cm	33 g	40 pcs	320 pcs
170-012-406	HG-TA30L	Left	3.0±20% N·m	30.6±20% kgf·cm	33 g	40 pcs	320 pcs
170-012-407	HG-TA45R	Right	4.5±20% N·m	45.9±20% kgf·cm	65 g	20 pcs	160 pcs
170-012-408	HG-TA45L	Left	4.5±20% N·m	45.9±20% kgf·cm	65 g	20 pcs	160 pcs

TORQUE HINGE

STAINLESS 430 STEEL

HG-TB



HG-TB7L, HG-TB20L, HG-TB30L

HG-TB45L

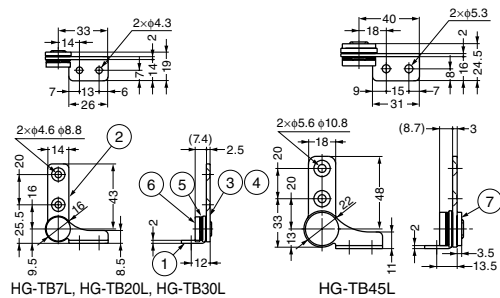
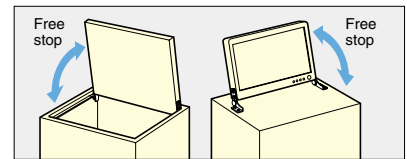
Remarks

- Operating temperature : 0° - 40°
- Operating angle : 360°
- For pair using: Please use the same torque moment in both hinges.

Video Link



Application Example



HG-TB7L, HG-TB20L, HG-TB30L

HG-TB45L

Left-handed type shown.

No.	Part Name	Material	Finish
①	Body	Stainless Steel (SUS430)	Mirror
②	Base	Stainless Steel (SUS430)	Mirror
③	Plate A	Bronze	-
④	Plate B	Bronze	-
⑤	Spring Washer	Steel	-
⑥	Shaft	Stainless Steel (SUS303)	-
⑦	Washer	Stainless Steel (SUS303)	Mirror

*HG-TB45: ③×2pcs

Item Code	Item Name	Type	Torque Moment		Weight	Box	Carton
170-022-142	HG-TB7R	Right	0.7±20% N·m	7.1±20% kgf·cm	31 g	40 pcs	320 pcs
170-022-143	HG-TB7L	Left	0.7±20% N·m	7.1±20% kgf·cm	31 g	40 pcs	320 pcs
170-012-413	HG-TB20R	Right	2.0±20% N·m	20.4±20% kgf·cm	32 g	40 pcs	320 pcs
170-012-414	HG-TB20L	Left	2.0±20% N·m	20.4±20% kgf·cm	32 g	40 pcs	320 pcs
170-012-415	HG-TB30R	Right	3.0±20% N·m	30.6±20% kgf·cm	32 g	40 pcs	320 pcs
170-012-416	HG-TB30L	Left	3.0±20% N·m	30.6±20% kgf·cm	32 g	40 pcs	320 pcs
170-012-417	HG-TB45R	Right	4.5±20% N·m	45.9±20% kgf·cm	67 g	20 pcs	160 pcs
170-012-418	HG-TB45L	Left	4.5±20% N·m	45.9±20% kgf·cm	67 g	20 pcs	160 pcs