

TORQUE HINGE (DUAL AXIS)

STAINLESS
430
STEEL

HG-T30S15



Features

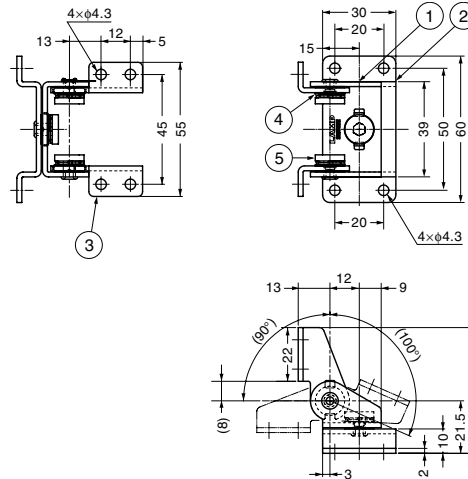
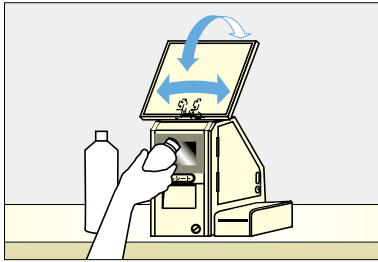
- Dual axis: can both tilt and rotate.
- Free stop: can hold position at any rotation angle or degree of tilt.
- Can fully rotate 360°.
- Successfully passed 20,000 cycles for both tilting and rotation in a private test.
- Provides torque stability in both directions.
- Easy surface installation.



Remarks

- Operating temperature : 0° - 40°
- Suitable for monitor screen.

Application Example



No.	Part Name	Material	Finish
①	Base	Stainless Steel (SUS430)	Mirror
②	Base Plate	Stainless Steel (SUS430)	Mirror
③	Bracket	Stainless Steel (SUS430)	Mirror
④	Plate	Steel	-
⑤	Shaft	Stainless Steel (SUS303)	-

Item Code	Item Name	Torque Moment (Tilting)		Torque Moment (Swiveling)		Weight	Box	Carton
170-020-826	HG-T30S15	3.0±20% N·m	30.6±20% kgf·cm	1.5±20% N·m	15.3±20% kgf·cm	87 g	12 pcs	96 pcs

TORQUE HINGE (DUAL AXIS)

STAINLESS
430
STEEL

HG-T70S30



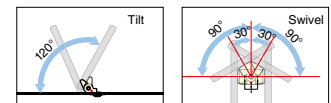
Features

- Dual axis: can both tilt and rotate.
- Free stop: can hold position at any rotation angle or degree of tilt.
- Can fully rotate 360°.
- Successfully passed 20,000 cycles for both tilting and rotation in a private test.
- Provides torque stability in both directions.
- Degree of rotation can be constrained by using screws or pins.

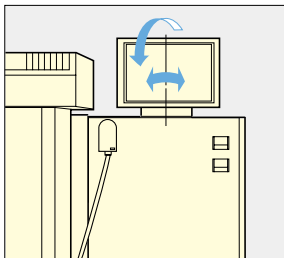


Remarks

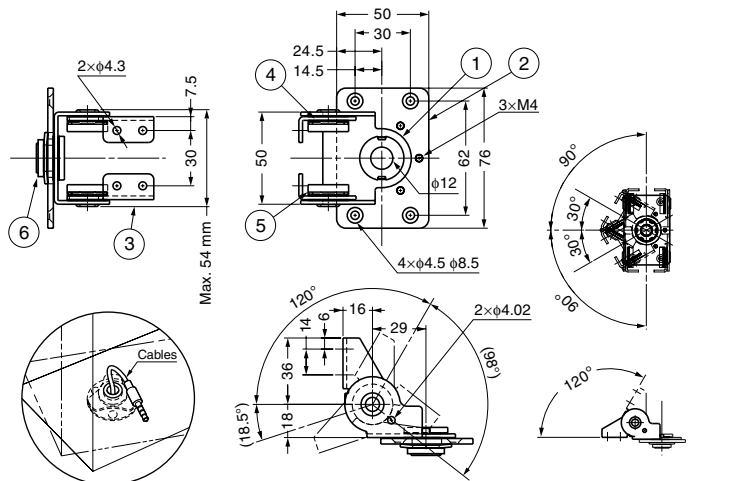
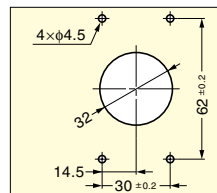
- Operating temperature : 0° - 40°
- Suitable for monitor screen.



Application Example



Cut Out Dimensions



No.	Part Name	Material	Finish
①	Base	Stainless Steel (SUS430)	Mirror
②	Base Plate	Stainless Steel (SUS430)	Mirror
③	Bracket	Stainless Steel (SUS430)	Mirror
④	Plate	Steel	-
⑤	Shaft	Stainless Steel (SUS303)	-
⑥	Washer	Stainless Steel (SUS430)	Mirror

Item Code	Item Name	Torque Moment (Tilting)		Torque Moment (Swiveling)		Weight	Box	Carton
170-012-419	HG-T70S30	7.0±20% N·m	71.4±20% kgf·cm	3.0±20% N·m	30.6±20% kgf·cm	233 g	5 pcs	40 pcs