

Flat suction cup (round)

<https://www.schmalz.com/10.01.01.11147>



PFYN 10 HT1-60 M5-IG

Part no.: 10.01.01.11147

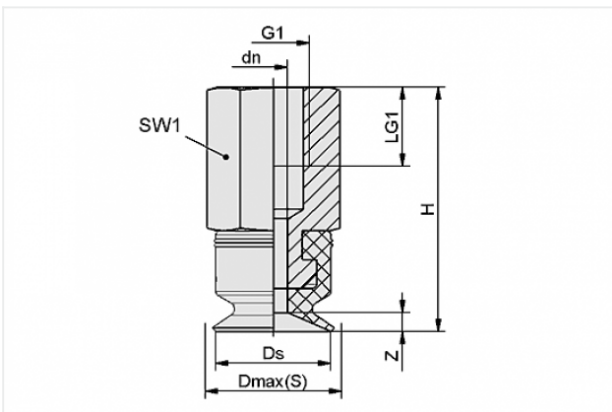
Homepage > Vacuum Technology for Automation > Vacuum Components > Vacuum Suction Cups > Flat Suction Cups (Round) > Flat Suction Cups
PFYN > PFYN 10 HT1-60 M5-IG

Flat suction cup (round) for smooth or slightly rough surfaces



Size: 10
Suction cup material:
High temp material HT1
Material hardness: 60 °Sh
Material property: imprint-free
Nipple material: Aluminium
Vacuum connection: M5-F

Design Data



| Attribute | Value |
|-----------|-------|
|-----------|-------|

| | |
|---------|---------|
| dn | 2 mm |
| Dmax(S) | 11.5 mm |
| Ds | 10 mm |
| G1 | M5-F |
| H | 17.5 mm |
| LG1 | 5.5 mm |
| SW1 | 8 mm |
| Z | 1.4 mm |

Technical Data

Contact to Schmalz

J. Schmalz GmbH | Johannes-Schmalz-Straße, 72293 Glatten, Deutschland | +49 7443 2403-102 |
customercenter@schmalz.de

| Attribute | Value |
|---------------------------------|------------------------|
| Suction force | 4 N |
| Volume | 0.07 cm ³ |
| Curve radius (min) (convex) | 12.5 mm |
| Internal hose diameter (recom.) | 2 mm |
| Size | 10 |
| Number of folds | 0 |
| Suction cup material | High temp material HT1 |
| Material hardness | 60 °Sh |
| Weight | 1.6 g |
| Product family | PFYN |

Note:

- Suction force: The specified suction forces are theoretical values at a vacuum of -0.6 bar and with a smooth, dry workpiece surface - they do not include a safety factor
- Hose diameter: The recommended hose diameter refers to a hose length of approx. 2 m

Spare Parts



SA-NIP N004 M5-IG DN200

Part no. 10.01.01.03518

Suction cup connection nipple

Nipple: N 004

Thread G1: M5-F

Overall length: 14 mm

Fitting length: 10 mm

Nominal size: 2.00 mm

Material: Aluminium



PFG 10 HT1-60 N004

Part no. 10.01.01.11161

Flat suction cup (round) for smooth or slightly rough surfaces

Size: 10

Suction cup material:

High temp material HT1

Material hardness: 60 °Sh

Material property: imprint-free