

LAMP® JH Torque Damper Hinge Installation Instruction



Please follow these instructions carefully for proper use.

Meanings of Pictographs	
	A matter which needs to be attended to.
	A matter which must not be done.
	A matter which must be done.

Matters to Confirm before Fitting the Product

(matters which, if neglected, can cause physical or property damage)

- The Product can be fitted to any of the three types of doors shown at right.
- Use the Product within the prescribed load torque range (see the table in **Specifications**). An excessive load torque can cause damage to the Product.
- Fit the right-hand and left-hand dampers properly (see **Assembly Drawing**).
- Provide a door stopper to prevent from over turning beyond the prescribed range (see **Damper Effective Angle** and **Application Examples**).
- Make sure that the part to which the Product is fitted has sufficient strength.

Door types		
Upper cover (external fitting)		Downward-opening door (internal fitting)
Overall covering	Inset	

- When an attempt is made to manually turn the hinge in the direction in which the damper works, the torque in the rated torque range (0 to about 60 degrees) may be so large that the hinge cannot be turned to the "Close" position (see **Damper Effective Angle**).
- Put a cap to each end of the brackets after the right and left-hand dampers have been installed properly.
- Fit the Product using care that an off-center shaft does not occur. An off-center shaft can increase the load or prevent smooth damper operation.
- Be sure to install not to occur an off-center shaft. For installation at decline position please contact our customer service.

WARNING

(matters which, if neglected, can cause physical or property damage)

- Do not force the door to close faster in damper effective direction. It can cause damage to the Product.
- When the door opening angle is small, the dampers may not work smoothly.
- The damper characteristic is affected at room temperature, but this is not mechanical problem.

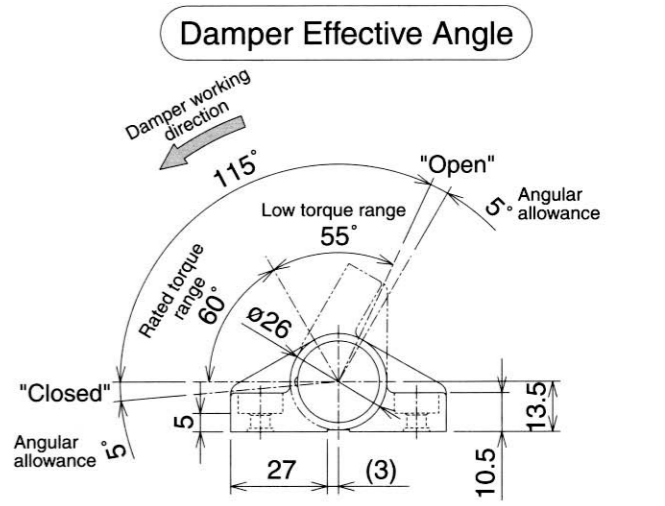
Shape	Left side		Right side		Cap	Left-hand damper	Right-hand damper	Installation instruction
	Cylinder interior	Left side	Right side	Right side				
Name	Bracket at body-side	Bracket at shaft-side						
Quantity	2	2			4	1	1	1

⚠ Screws not included.
Recommended screws and washers: M5 hexagon socket head screw × 8, washer 5 mm in nominal diameter × 8 (for two dampers)

Specifications

Item no.	Lapcon damper *1		Torque *2 kgf·cm [N·cm]
	Shaft color	Bottom color mark	
JH-25	White (A-type)	Blue	30.6-51 [300-500]
JH-35	Gray (B-type)	Red	51-71.4 [500-700]

- *1 A-type damper: The damper works counterclockwise.
B-type damper: The damper works clockwise.
- *2 The torque indicated is at 2 pcs use.
- Operating temperature: 0 to 40°C
- Operating humidity: Max. 90% RH



Installation Procedure

- Confirm the damper type, and then fit the damper body (stainless steel) into the body bracket and the shaft (plastic) into the shaft bracket (see **Details of Parts** and **Assembly Drawing**).
- Confirm the right-hand and left-hand dampers and fit the hinges assembled in Step 1 to the cabinet (see **Assembly Drawing**).
- Turn the hinges to any angle in the low torque range (about 60 to 115 degrees) and fit the door to the cabinet (see **Damper Effective Angle**).
- Put the caps onto both sides of the bracket tightly.
- Open and close the door repeatedly to check that it moves smoothly.

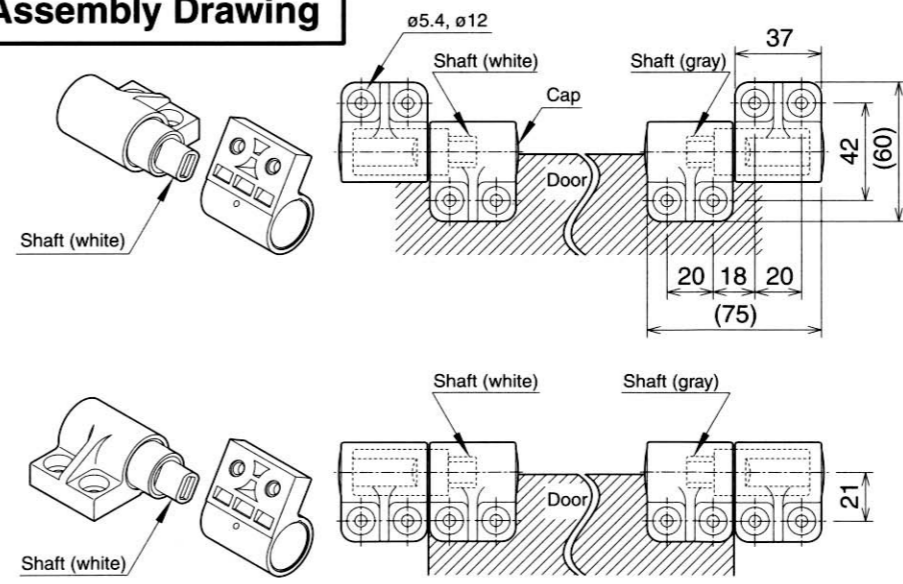
⚠ Even when the hinge is manually turned within the rated torque range (0 to about 60 degrees), it automatically returns to about 60 degrees when it is released.
Fit the door at an angle at which the dampers do not automatically return (low torque range-about 60 to 115 degrees) even when it is released. (see **Damper Effective Angle**).

Torque Calculation

W : Door weight
L : Door height
G : The distance from hinge center to door center of gravity
= L / 2 * When the door is uniform in shape

Torque = Door height × 1/2 × Door weight (kgf·cm)

Assembly Drawing



⚠ As shown above, fit the left-hand damper to the left side and the right-hand damper to the right side, with the door looked down.

Application Examples