

LIFT-OFF HINGE BN

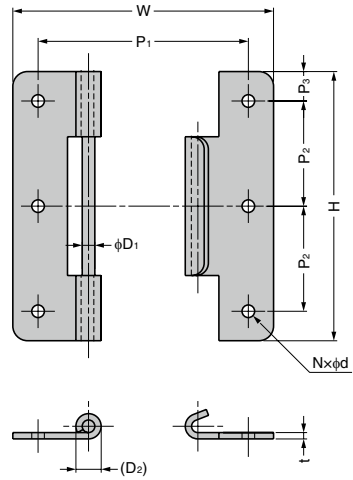


[Applications]

- Measuring instruments, laboratory equipment, trunk, etc.

[Remarks]

- Load capacity is the value when using two hinges. For calculation conditions, please refer to INDEX [1](#) .



RoHS	CAD	Item Code	Item Name	Material	Finish	H	W	P ₁	P ₂	P ₃	d	D ₁	D ₂	t	N	Load Capacity N/2 pcs	Load Capacity kgf/2 pcs	Weight (g)	Box (pcs)	Carton (pcs)
		170-099-498	BN-50S	Stainless Steel	Polished	50	30	20	20	5	3	3	6	1.5	6	88	9	6	-	-
		170-099-497	BN-64S	(SUS304)		64	36	24	25	7	3	3	6	1.5	6	118	12	8	-	-

Refer to [1](#) : P.15

TORQUE HINGES

DAMPER HINGES

LIFT ASSIST HINGES

DETENT HINGES

CONCEALED HINGES

BUTT HINGES

PIANO HINGES

STEP HINGES

LIFT-OFF HINGES

LIFT-OFF HINGE SKH

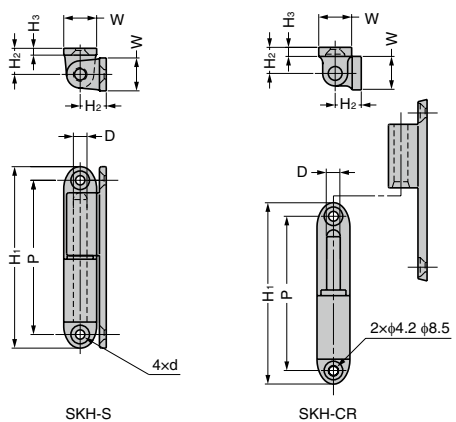


[Applications]

- Control board, various enclosures

[Remarks]

- Load capacity is the value when using two hinges. For calculation conditions, please refer to INDEX [1](#) .



PIVOT HINGES

SPRING HINGES

CLEAN ROOM HINGES

HINGES FOR ALUMINIUM FRAME

DROP HINGES

GLASS DOOR HINGES

SPECIAL HINGES

RoHS	CAD	Item Code	Item Name	Material	Finish	H ₁	H ₂	H ₃	W	P	D	d	Load Capacity N/2 pcs	Load Capacity kgf/2 pcs	Weight (g)	Box (pcs)	Carton (pcs)	
		170-099-129	SKH-51S	Stainless Steel (SUS304)	Barrel Polished	51	8	2.5	11	40	4	Counterbore for M3	78	8	30	-	-	
		170-090-818	SKH-60S			60	9.5	3	13	48	5	5	Counterbore for M4	118	12	50	-	-
		170-099-328	SKH-80S			80	11.5	4.5	14.5	68	6	6	Counterbore for M4	284	29	95	-	-

Refer to [1](#) : P.15