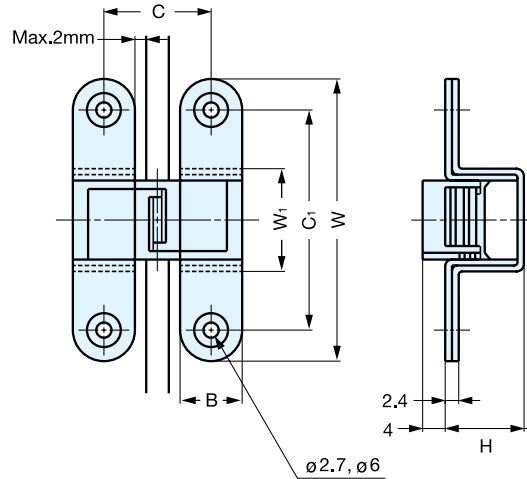
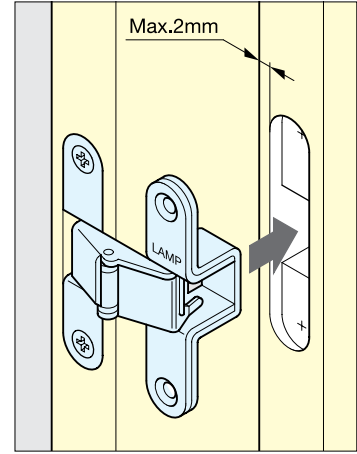


CONCEALED HINGE



RK-50

- Door Size Max: W450 x H700 (W17-23/32" x H27-9/16")
- Door Weight Max: 2.6 kg/pair (5.7 lbs/pair)
- Door thickness 15-21 mm (19/32" - 53/64")



Material	Finish
304 Stainless Steel	Satin

Item No.	W	B	C	C ₁	H	W ₁	Weight (g)	Box (pcs)	Carton (pcs)
RK-50	50 (1-31/32")	11 (7/16")	19 (3/4")	38 (1-1/2")	14 (35/64")	18 (23/32")	28	24	240