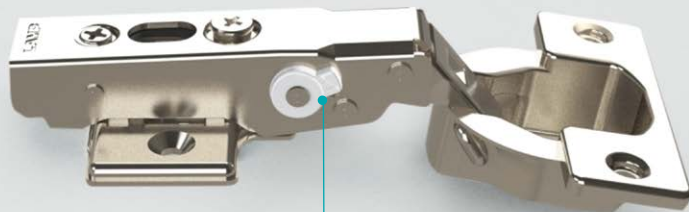


Thick doors 26mm overlay / 100° opening

LAMP

With damper function (5 levels)



Damper power adjustment lever

The picture above shows a combination of a concealed hinge (with damper) and a mounting plate (sold separately).

Overlay
22-26mm (when bore distance is 8mm)

Cup size $\phi 40$
Bore Depth 15mm Door Thickness 18-30mm

3D adjustment
Depth: +1.7, -2.8mm, Vertical: ± 2.5 mm,
Overlay: +0, -4mm

Sold separately: ▶ P.17 -

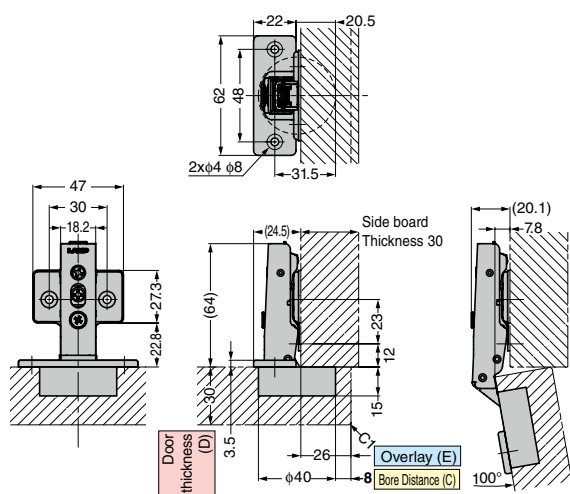
- Mounting plates
- Countersunk head tapping screw 3.5 x 15NI
- Recommended screws: (Countersunk head wood/tapping screw 3.5)

Body

Mounting plate

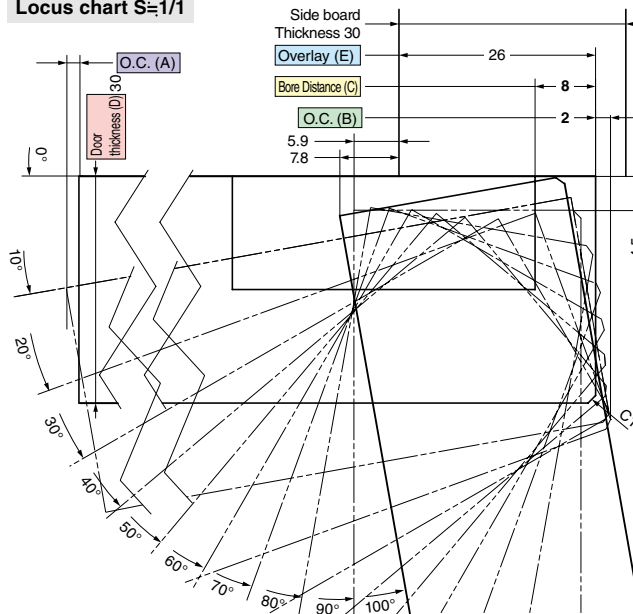
▶ The installation drawing and locus chart shown are for a 30 mm thick door and side board, 26mm overlay and a 8mm bore distance.

Installation drawing



Drawings show a hinge, face plate and 360-P4W-30T mounting plate (sold separately).

Locus chart $S=1/1$



Opening Clearance (O.C.)

Clearances for door edge O.C. (A) and hinge side O.C. (B) are necessary. O.C. (A) and (B) change depending on door thickness and bore distance (C). Refer to locus chart and tables below when designing cabinets.

Opening clearance (B), door thickness (D) and bore distance (C) relationship

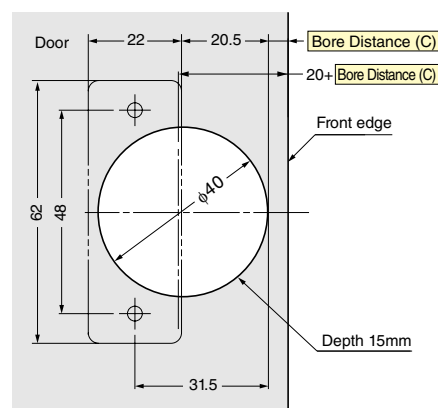
Door Thickness (D)	Bore Distance (C)					
	3	4	5	6	7	8
18	0.1	0.1	0.1	0.1	0.1	0.1
20	0.3	0.3	0.3	0.3	0.3	0.3
22	0.5	0.5	0.5	0.5	0.5	0.5
24	0.8	0.8	0.8	0.8	0.8	0.8
26	1.3	1.2	1.2	1.1	1.1	1.1
28	3.6	2.6	1.6	1.6	1.5	1.5
30	6.0	5.0	4.0	3.0	2.1	2.0
32*	8.4	7.4	6.4	5.4	4.4	3.4
34*	10.8	9.8	8.8	7.8	6.8	5.8

O.C. (B)

* The table above shows O.C. (B) for C1 chamfering (chamfer plane).

* Please refer to the locus chart if door thickness is over 30mm. O.C. (B) can be made smaller by R chamfering (round chamfer) and C chamfering (chamfer plane) on the door.

Cut out dimensions (wooden doors)



Bore distance (C) and overlay (E) relationship

Bore Distance (C)	3	4	5	6	7	8
Overlay (E)	21	22	23	24	25	26

Overlay can be decreased by up to 4mm by turning the overlay adjustment screw.

Opening clearance (A) and door width relationship (for 30mm thick door)

Door Width	300	400	500	600
O.C. (A)	0.35	0.25	0.19	0.16

Item code	Item name	Opening angle	Type	Material	Finish	Carton
NEW CAD 160-029-084	H360-D26-26T	100°	With damper (5 levels)	Steel	Nickel	100pcs
NEW CAD 160-029-081	H360-26-26T		Without catch			
NEW CAD 160-029-078	H360-C26-26T		With catch			