

# 14mm overlay / 105° opening, 85° opening

LAMP

With damper function (5 levels)



Damper power adjustment lever

The picture above shows a combination of a concealed hinge (with damper) and a mounting plate (sold separately).

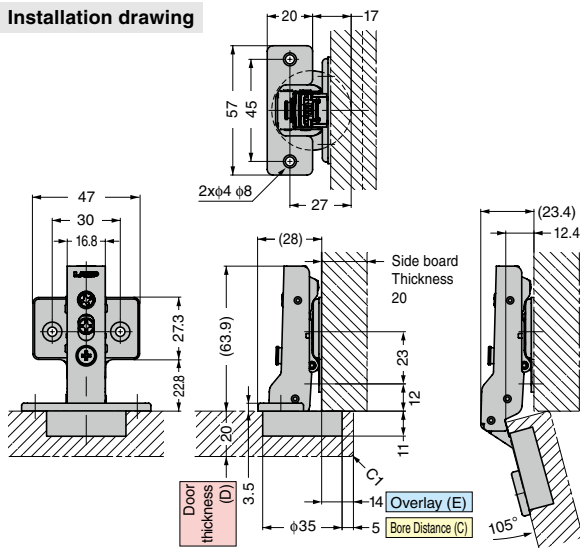
<b>Overlay</b> 10-14mm (when bore distance is 5mm)
<b>Cup size <math>\phi 35</math></b> Bore Depth 11mm Door Thickness 15-20mm
<b>3D adjustment</b> Depth: +1.5, -2.5mm, Vertical: $\pm 2.5$ mm, Overlay: +0, -4mm

Sold separately: ▶ P.17 -

- Mounting plates  Glass door face plate
- Countersunk head tapping screw 3.5 x 15NI  Other
- Recommended screws: (Countersunk head wood/tapping screw 3.5)

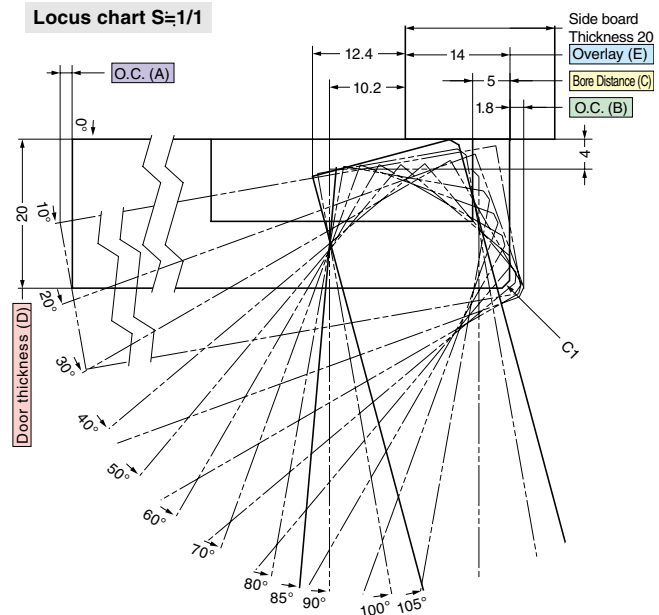
▶ The installation drawing and locus chart shown are for a 20 mm thick door and side board, 14mm overlay and a 5mm bore distance. Opening angle is 105°.

## Installation drawing



Drawings show a hinge, face plate and 360-P4W-30T mounting plate (sold separately).

## Locus chart S=1/1



Cut out dimensions (wooden doors)

## Opening Clearance (O.C.)

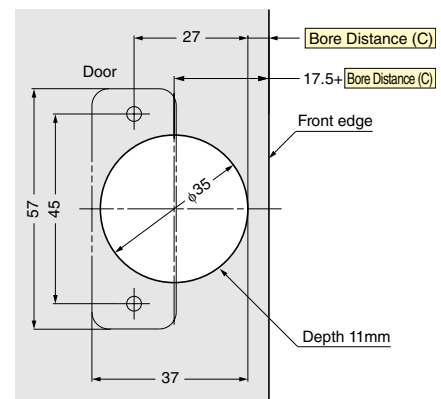
Clearances for door edge O.C. (A) and hinge side O.C. (B) are necessary. O.C. (A) and (B) change depending on door thickness and bore distance (C). Refer to locus chart and tables below when designing cabinets.

## Opening clearance (B), door thickness (D) and bore distance (C) relationship

Door Thickness (D)	Bore Distance (C)		
	3	4	5
15	0.6	0.6	0.5
16	0.8	0.8	0.7
17	1.0	1.0	1.0
18	1.3	1.3	1.2
19	1.6	1.6	1.5
20	2	1.9	1.8
21*	2.4	2.3	2.2
22*	2.8	2.7	2.6
<b>O.C. (B)</b>			

\* The table above shows O.C. (B) for C1 chamfering (chamfer plane).

\* Please refer to the locus chart if door thickness is over 20mm. O.C. (B) can be made smaller by R chamfering (round chamfer) and C chamfering (chamfer plane) on the door.



## Bore distance (C) and overlay (E) relationship

Bore Distance (C)	3	4	5
Overlay (E)	12	13	14

Overlay can be decreased by up to 4mm by turning the overlay adjustment screw.

## Opening clearance (A) and door width relationship (for 20mm thick door)

Door Width	300	400	500	600
O.C. (A)	0.13	0.09	0.07	0.06

	Item code	Item name	Opening angle	Type	Material	Finish	Carton	
CAD	G 160-026-841	360-D26-14T	105°	With damper (5 levels)	Steel	Nickel	100pcs	
CAD	G 160-026-837	360-26-14T		Without catch				
CAD	G 160-026-833	360-C26-14T		With catch				
NEW	CAD G 160-042-390	360-U26-14T	85°	Sprung-open			200pcs	
NEW	CAD G 160-034-890	360-D26-14T85		With damper (5 levels)				100pcs
NEW	CAD G 160-034-887	360-26-14T85		Without catch				
NEW	CAD G 160-034-884	360-C26-14T85		With catch	200pcs			