

# 19 mm overlay / 105° opening, 85° opening

LAMP

With damper function (5 levels)



Damper power adjustment lever

The picture above shows a combination of a concealed hinge (with damper) and a mounting plate (sold separately).

**Overlay**  
15-19mm (when bore distance is 5mm)

**Cup size  $\phi 35$**   
Bore Depth 11mm Door Thickness 15-20mm

**3D adjustment**  
Depth: +1.5, -2.5mm, Vertical:  $\pm 2.5$ mm,  
Overlay: +0, -4mm

Sold separately: ▶ P.17 -

- Mounting plates  Glass door face plate
- Countersunk head tapping screw 3.5 x 15NI  Other
- Recommended screws: (Countersunk head wood/tapping screw 3.5)

Body

Mounting plate

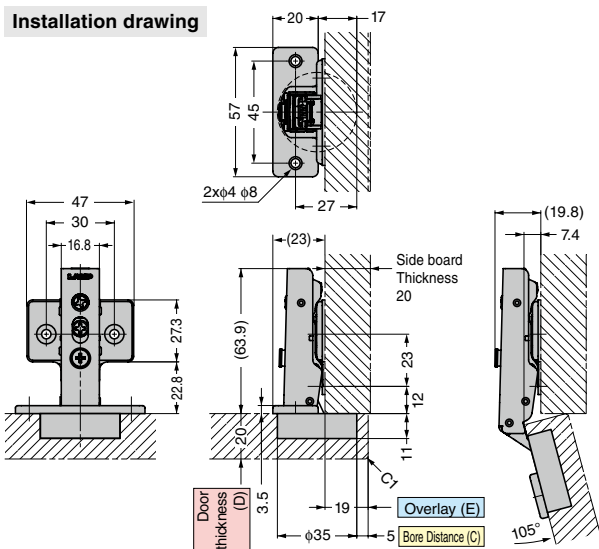
Option parts

Standard doors

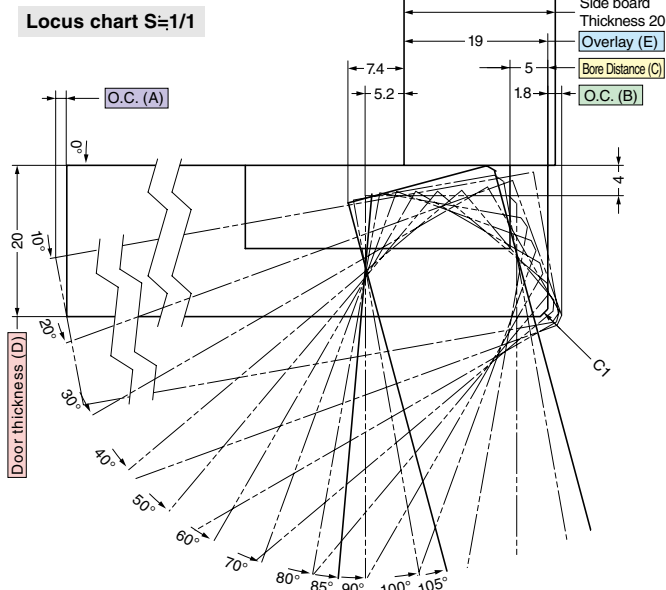
Thick doors

Glass doors

▶ The installation drawing and locus chart shown are for a 20 mm thick door and side board, 19mm overlay and a 5mm bore distance. Opening angle is 105°.



Drawings show a hinge, face plate and 360-P4W-30T mounting plate (sold separately).



### Opening Clearance (O.C.)

Clearances for door edge O.C. (A) and hinge side O.C. (B) are necessary. O.C. (A) and (B) change depending on door thickness and bore distance (C). Refer to locus chart and tables below when designing cabinets.

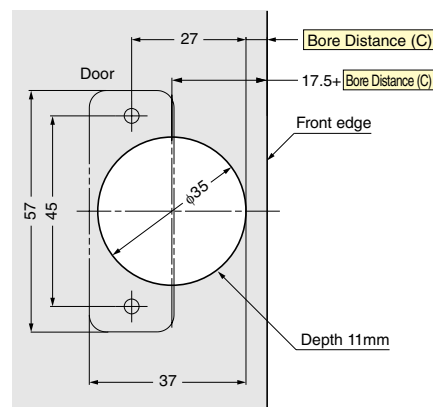
### Opening clearance (B), door thickness (D) and bore distance (C) relationship

Door Thickness (D)	Bore Distance (C)		
	3	4	5
15	0.6	0.6	0.5
16	0.8	0.8	0.7
17	1.0	1.0	1.0
18	1.3	1.3	1.2
19	1.6	1.6	1.5
20	2	1.9	1.8
21*	2.4	2.3	2.2
22*	2.8	2.7	2.6
<b>O.C. (B)</b>			

\* The table above shows O.C. (B) for C1 chamfering (chamfer plane).

\* Please refer to the locus chart if door thickness is over 20mm. O.C. (B) can be made smaller by R chamfering (round chamfer) and C chamfering (chamfer plane) on the door.

### Cut out dimensions (wooden doors)



### Bore distance (C) and overlay (E) relationship

Bore Distance (C)	3	4	5
Overlay (E)	17	18	19

Overlay can be decreased by up to 4mm by turning the overlay adjustment screw.

### Opening clearance (A) and door width relationship (for 20mm thick door)

Door Width	300	400	500	600
O.C. (A)	0.13	0.09	0.07	0.06

Item code	Item name	Opening angle	Type	Material	Finish	Carton
CAD  160-026-840	360-D26-19T	105°	With damper (5 levels)	Steel	Nickel	100pcs
CAD  160-026-836	360-26-19T		Without catch			200pcs
CAD  160-026-832	360-C26-19T		With catch			
NEW CAD  160-042-389	360-U26-19T	85°	Sprung-open			100pcs
NEW CAD  160-034-889	360-D26-19T85		With damper (5 levels)			
NEW CAD  160-034-886	360-26-19T85		Without catch			200pcs
NEW CAD  160-034-883	360-C26-19T85		With catch			