

# Flat suction cup (round)

PFYN 8 PU-55 M5-AG

Part no.: 10.01.01.00167

<https://www.schmalz.com/10.01.01.00167>



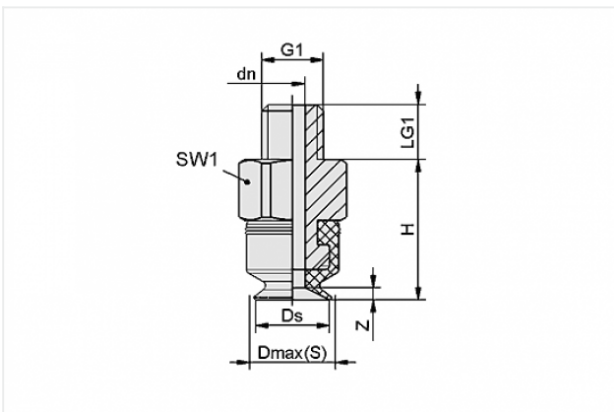
Homepage > Vacuum Technology for Automation > Vacuum Components > Vacuum Suction Cups > Flat Suction Cups (Round) > Flat Suction Cups  
PFYN > PFYN 8 PU-55 M5-AG

## Flat suction cup (round) for smooth or slightly rough surfaces



Size: 8  
Suction cup material: Polyurethane PU  
Material hardness: 55 °Sh  
Nipple material: Aluminium  
Vacuum connection: M5-M

### Design Data



Attribute	Value
-----------	-------

Dmax(S)	9 mm
---------	------

Ds	8 mm
----	------

G1	M5-M
----	------

### Technical Data

Attribute	Value
-----------	-------

Suction force	2.3 N
---------------	-------

Curve radius (min) (convex)	10 mm
-----------------------------	-------

### Contact to Schmalz

J. Schmalz GmbH | Johannes-Schmalz-Straße, 72293 Glatten, Deutschland | +49 7443 2403-102 |  
customercenter@schmalz.de

Attribute	Value
Size	8
Number of folds	0
Suction cup material	Polyurethane PU
Material hardness	55 °Sh
Weight	1.3 g
Product family	PFYN

**Note:**

- Suction force: The specified suction forces are theoretical values at a vacuum of -0.6 bar and with a smooth, dry workpiece surface - they do not include a safety factor
- Hose diameter: The recommended hose diameter refers to a hose length of approx. 2 m

**Spare Parts**



**SA-NIP N004 M5-AG DN200**

Part no. 10.01.01.03526

Suction cup connection nipple

Nipple: N 004

Thread G1: M5-M

Overall length: 13.5 mm

Fitting length: 5 mm

Nominal size: 2.00 mm

Material: Aluminium



**PFG 8 PU-55 N004**

Part no. 10.01.01.00049

Flat suction cup (round) for smooth or slightly rough surfaces

Size: 8

Suction cup material: Polyurethane PU

Material hardness: 55 °Sh