



# CONCEALED HINGE (CLIP-ON) HT160THV2

Passed 10,000 open/close private cycle test



- Sheet metal door can be quickly installed and removal.
- Spacers on the slide arms reduce arm wear and door sagging.
- Door opens without interfering with side cabinets or wall.
- For more details , please contact local representatives.

**[Applications]**

- Small vending machines, ticket vending machines, contiguous doors, door of cabinet embedded in the wall, etc.

**[Sold Separately]**

- Mounting plate HT160TZ

TORQUE HINGES

DAMPER HINGES

LIFT ASSIST HINGES

DETENT HINGES

CONCEALED HINGES

BUTT HINGES

PIANO HINGES

STEP HINGES

LIFT-OFF HINGES

PIVOT HINGES

SPRING HINGES

CLEAN ROOM HINGES

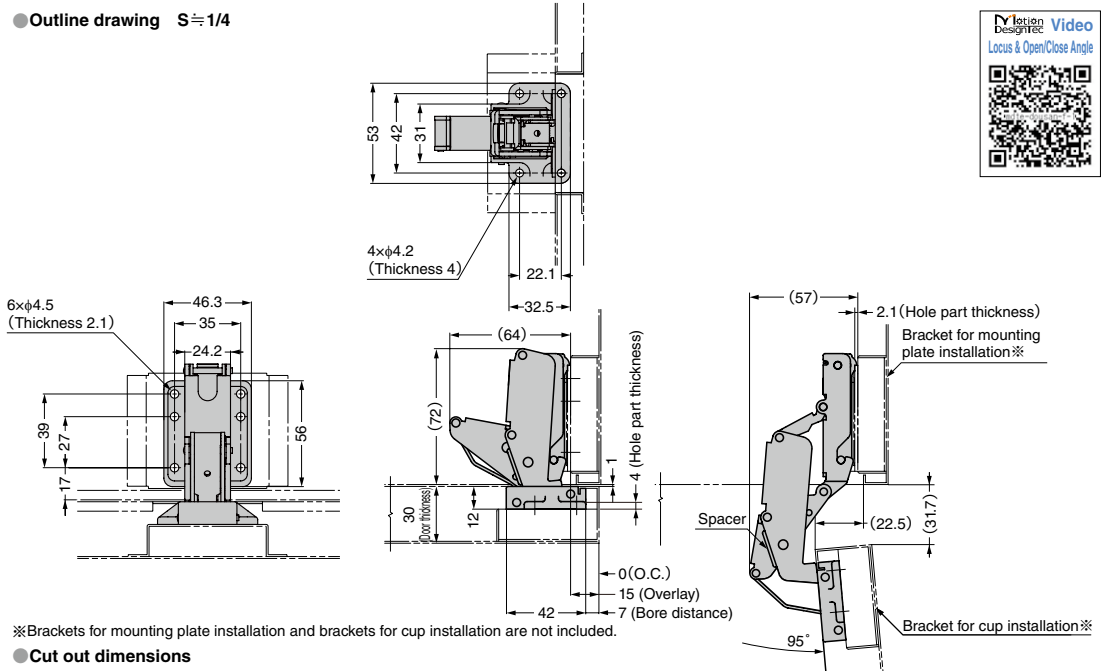
HINGES FOR ALUMINIUM FRAME

DROP HINGES

GLASS DOOR HINGES

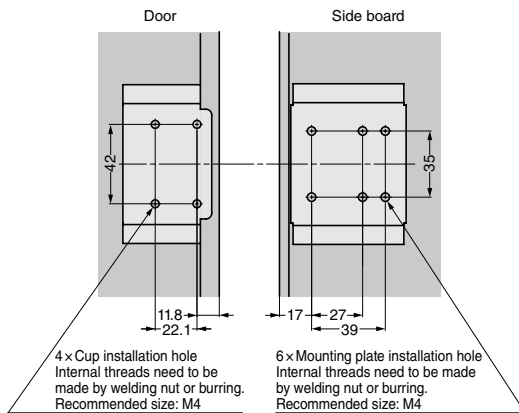
SPECIAL HINGES

● Outline drawing S ≈ 1/4



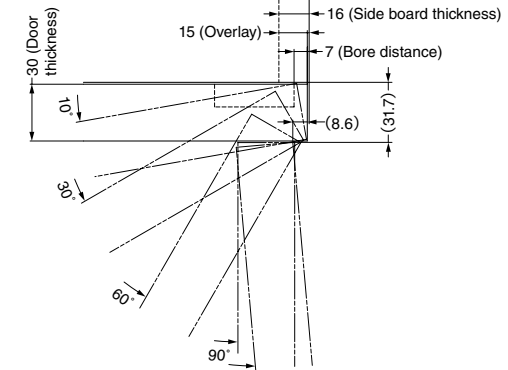
※Brackets for mounting installation and brackets for cup installation are not included.

● Cut out dimensions



Drawing above is Bore Distance 7 mm, Door Thickness 30 mm and 15 mm Overlay.

● Locus chart



Reference door weight: 20 kg 95° (In case of door size W450 x H800, installation pitch 550, using 2 pcs vertically)

**[Hinge Body]**

RHS	CAD	Item Code	Item Name	Material	Finish / Colour	Weight (g)	Box (pcs)
		160-070-327	HT160THV2-G	Body/Steel, Cup/Zinc Alloy (ZDC), Spacer/POM	Body • Cup/Nickel, Spacer/Black	204.6	100

**[Mounting Plate] Sold Separately**

RHS	CAD	Item Code	Item Name	Material	Finish	Weight (g)	Box (pcs)
		160-070-391	HT160TZ	Steel	Nickel	69.1	200

※Use in combination of hinge body and mounting plate (sold separately).