

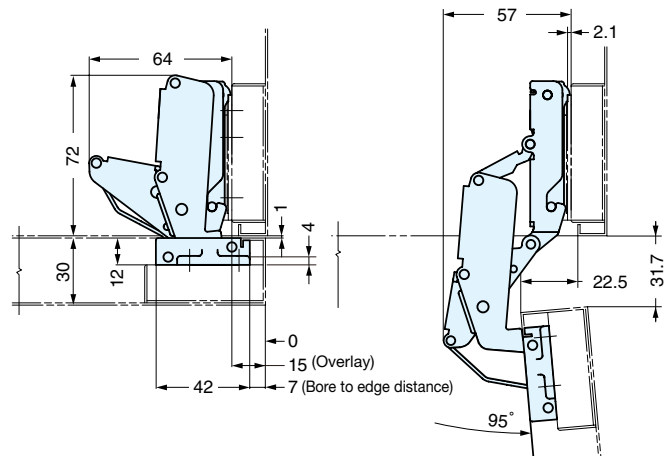
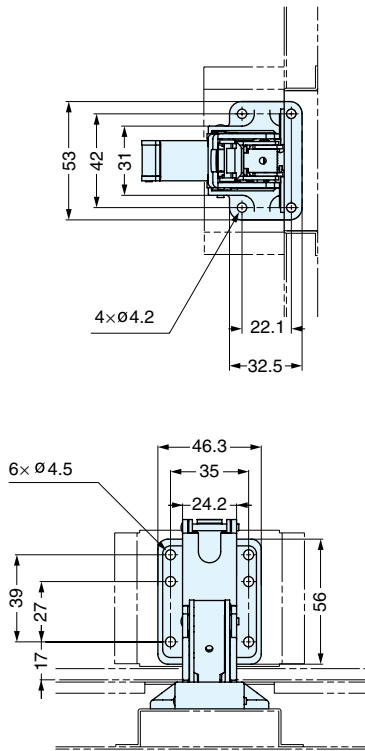
CONCEALED HINGES



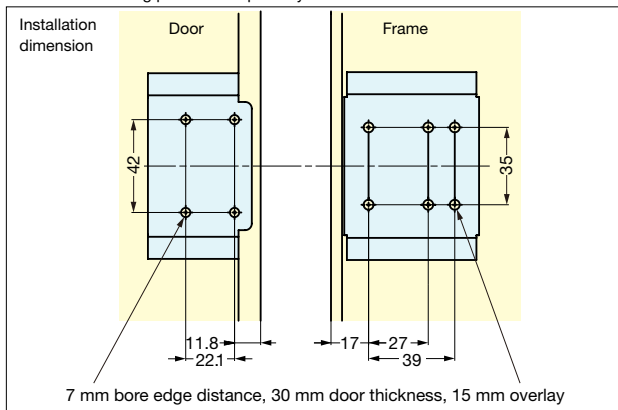
HT-160T



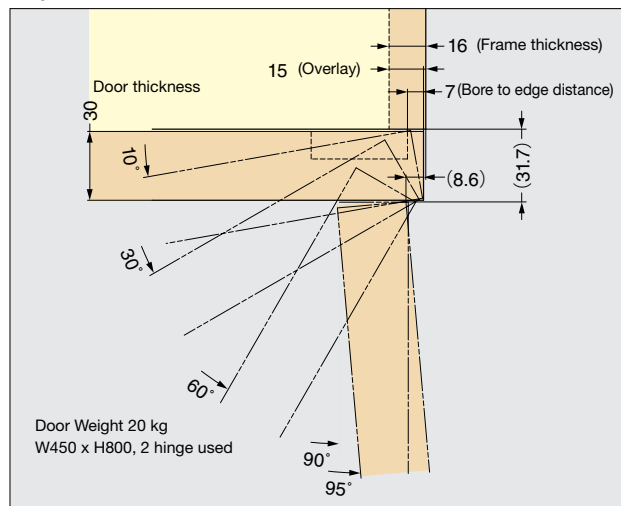
- 95° opening concealed hinge.
 - CLIP-ON feature allows easy door installation/removal.
 - Surface mounted for use with sheet metal applications.
 - Ideal when 2 doors are close together.
 - Door opens without interfering with side cabinets.
 - Mounting plate HT-160TZ sold separately.
- ORDERING INSTRUCTIONS:**
- CLIP-ON: ORDER HT-160THV2 & HT-160TZ for complete set.
 - Without CLIP-ON feature: order HT-160V2 (mounting plate attached to hinge).



HT-160TZ mounting plate sold separately



Range of motion



Item No.	Weight (g)	Carton (pcs)
HT-160THV2	205	100
HT-160TZ	69	200

Item No.	Part Name	Material	Finish/Color
HT-160THV2	Plate	Zinc Alloy	Nickel
	Body	Steel	
	Spacer	Polyacetal	Black
HT160TZ	Mounting Plate	Steel	Nickel