



HEAVY DUTY CONCEALED HINGE (16mm OVERLAY)

J95-24/16T, J95-C24/16T

HINGES

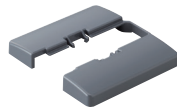


Nickel (NI)



Black Nickel (BN)

- Load capacity: 25 kg (55 lbs)/2 pcs, 40 kg (88 lbs)/3 pcs.
- Maximum door width: 800 mm (31-1/2")/2 pcs, 900 mm (35-7/16")/3 pcs.
- Clip on type for easy installation.
- 3-way adjustment with door installed.
- Requires 6 M5 or equivalent (US#10) screws: 2 pcs for each hinge, and 4 pcs for each mounting plate.
- Optional hinge cover (J95SC-16) and mounting plate cover (J95ZC) available (sold separately p.288).
- For glass door applications, see page 285.



Grey (GR)



Nickel (NI)



Black Chrome (BC)

J95ZC-GR/NI/BC
Mounting Plate Cover
Sold Separately
(See p.288)



Grey (GR)



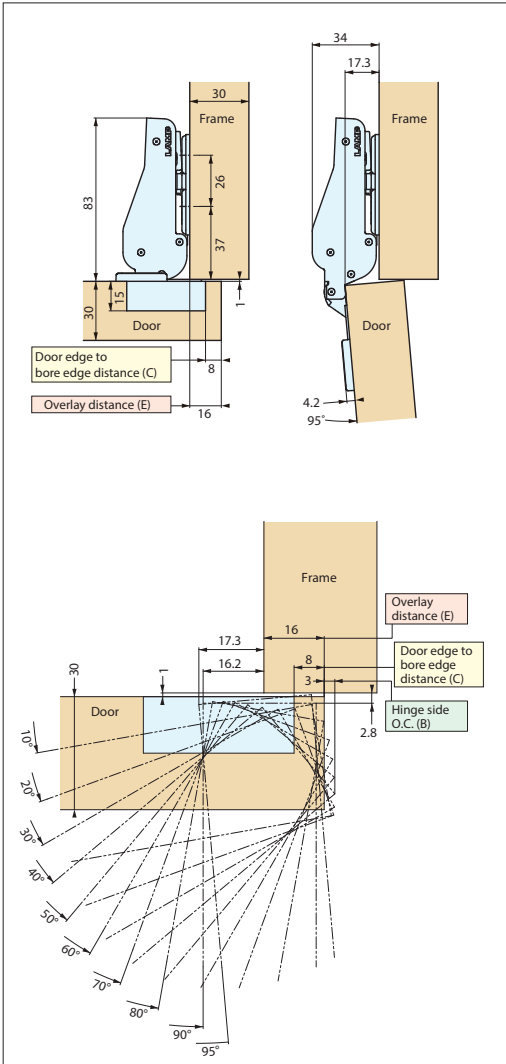
Nickel (NI)



Black Chrome (BC)

J95SC-16GR/NI/BC
Safety Cover
Sold Separately
(See p.288)

Wood Door Application



■ Door edge to bore edge distance (C) and Overlay distance (E) Table 1.

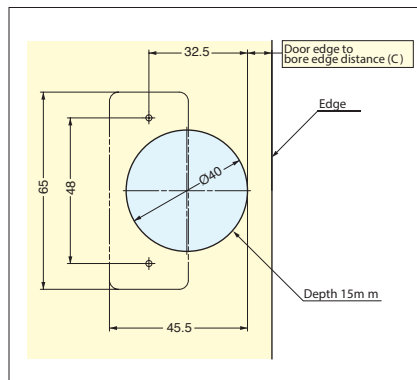
Door edge to bore edge distance (C)	3	4	5	6	7	8
Overlay distance (E)	11	12	13	14	15	16

■ Hinge side opening clearance chart Table 2.

Door thickness (D)*	Door edge to bore edge distance (C)					
	3	4	5	6	7	8
18	0.3	0.3	0.3	0.3	0.3	0.3
20	0.5	0.5	0.5	0.5	0.5	0.5
22	0.8	0.8	0.8	0.7	0.7	0.7
24	1.1	1.1	1.1	1.1	1.1	1.1
26	1.7	1.6	1.6	1.5	1.5	1.5
28	3.2	2.8	2.5	2.2	2.1	2.0
30	5.0	4.5	4.0	3.6	3.3	3.0
32	6.8	6.2	5.7	5.2	4.8	4.4
34	8.6	8.0	7.5	6.9	6.5	6.0

Hinge side O.C. (B)

*If the door thickness is over 30 mm (1-3/16") the door will need to be chamfered.



Bore Dimensions

Item No.	Type	Weight (g)	Box (pcs)	Carton (pcs)	Finish
J95-24/16T-NI	Free Swing	131	10	50	Nickel (NI)
J95-C24/16T-NI	Self-Closing	143			
J95-24/16T-BN	Free Swing	131			Black Nickel (BN)
J95-C24/16T-BN	Self-Closing	143			

Part Name	Material
Cup	Zinc Alloy
Body	Steel

*Requires J95-P6T Mounting Plate (sold separately p.288).

HEAVY DUTY CONCEALED HINGE (16MM OVERLAY)

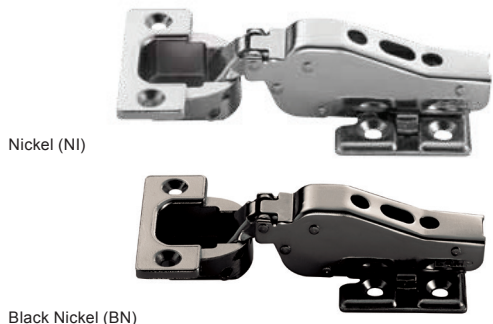
HEAVY DUTY CONCEALED HINGE (16mm OVERLAY)



J95-24/16T, J95-C24/16T

HINGES

HEAVY DUTY CONCEALED HINGE (16MM OVERLAY)

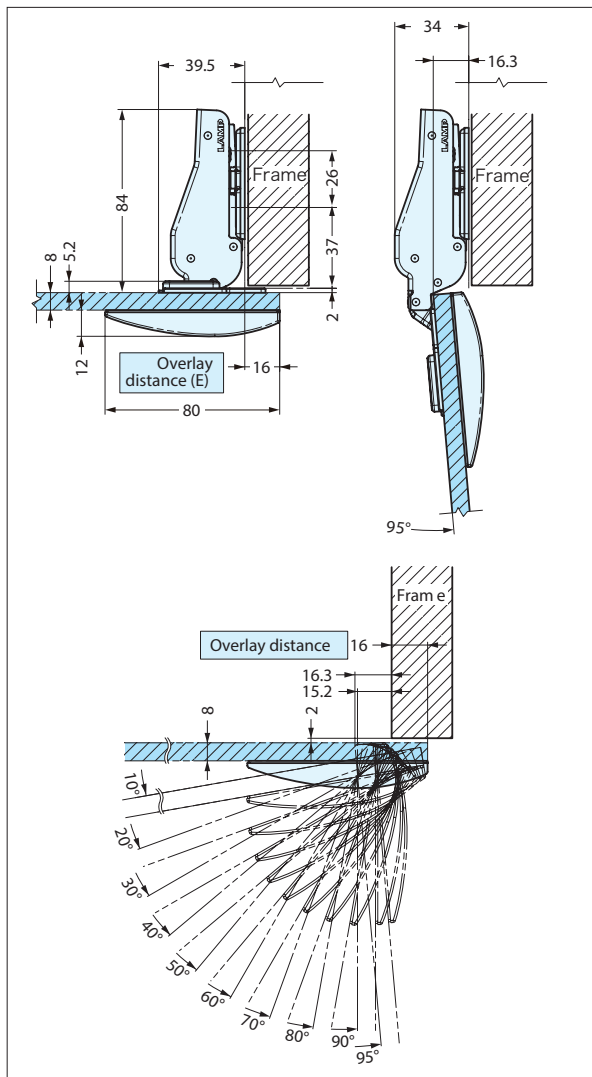


Nickel (NI)

Black Nickel (BN)

- Load capacity: 25 kg (55 lbs)/2 pcs, 35 kg (77 lbs)/3 pcs.
- Maximum door width: 800 mm (31-1/2")/2 pcs.
- Recommended door thickness: 8~10mm (5/16~3/8) for tempered glass only.
- Clip on type for easy installation.
- 3-way adjustment with door installed.
- Requires 6 M5 or equivalent (US#10) screws: 2 pcs for each hinge, and 4 pcs for each mounting plate.
- Optional hinge cover (J95SC-16) and mounting plate cover (J95ZC) available (sold separately p.288).
- Glass face plate (GH-J95FP) also available (sold separately p.289).
- For wood door applications, see page 284.

Glass Door Application



GH-J95FP/CR/SN/BL
Glass Face Plate
Sold Separately
(See p.289)



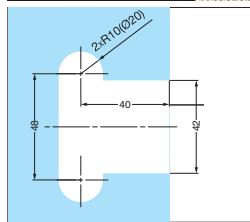
J95ZC-GR/NI/BC
Mounting Plate Cover
Sold Separately
(See p.288)



J95SC-16GR/NI/BC
Safety Cover
Sold Separately
(See p.288)

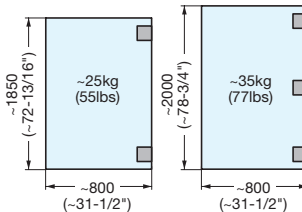
■ Hinge side opening clearance chart

Glass thickness (D)	Hinge side O.C.
8	0
9.5 (3/8")	0
10	0

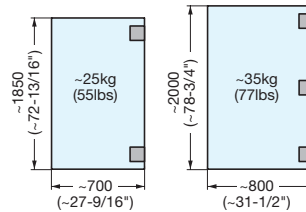


Bore Dimensions

■ Glass thickness 8 mm



■ Glass thickness 10 mm



Item No.	Type	Weight (g)	Box (pcs)	Carton (pcs)	Finish
J95-24/16T-NI	Free Swing	131	10	50	Nickel (NI)
J95-C24/16T-NI	Self-Closing	143			
J95-24/16T-BN	Free Swing	131			Black Nickel (BN)
J95-C24/16T-BN	Self-Closing	143			

Part Name	Material
Cup	Zinc Alloy
Body	Steel

*Requires J95-P6T Mounting Plate and GH-J95FP faceplate for glass door application (sold separately p.288-289).