

TORQUE CONCEALED HINGE H95TSH-F For Sheet Metal

Free-stop Passed 10,000 open/close private test



- Has free-stop torque mechanism with 95° opening.
- Gives no spring-back and backlash.
When the angle is near 0°, the torque will be released.
- Easy installation and detachment.
- Hinge can be easily fixed onto the mounting plate by pressing down.
- Less interference with adjacent objects due to wide throw opening.
- The safety pin prevents accidental unlocking of the lock lever.

[Application]

- Vending machines, ticket machines, contiguous doors, small cabinet door embedded in the walls.

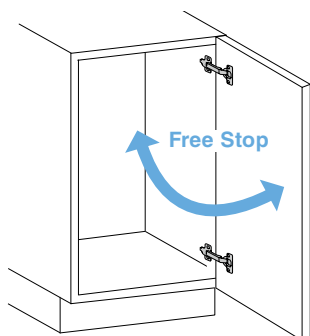
[Sold Separately]

- Mounting Plate H95TSZ

[Remarks]

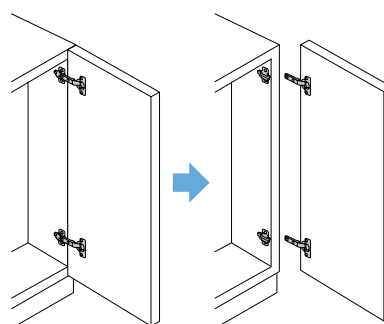
- When the angle is near 0°, the torque will be released.

[Torque Mechanism]

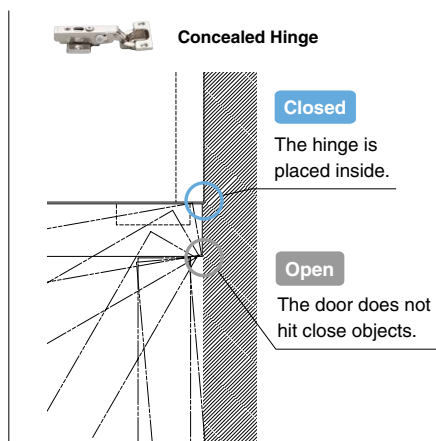
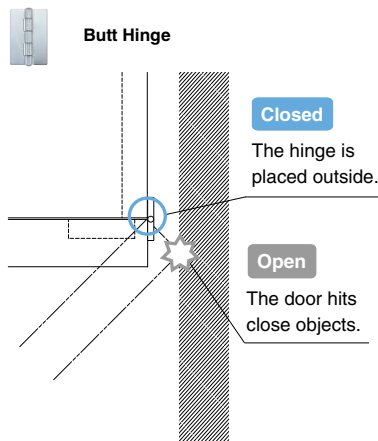


Holds in position even if the door is inclined.

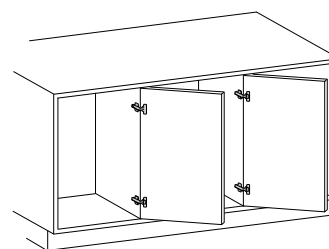
[Easy Installation and Detachment]



[Door Locus Comparison]

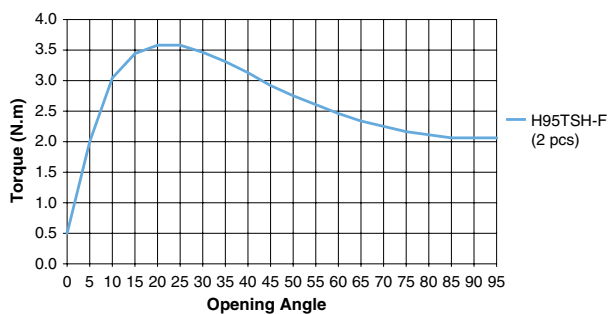


[Alternative Installations]



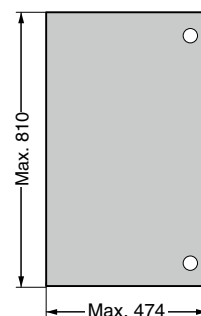
Can be used on doors lined up side by side.

[Torque Graph]

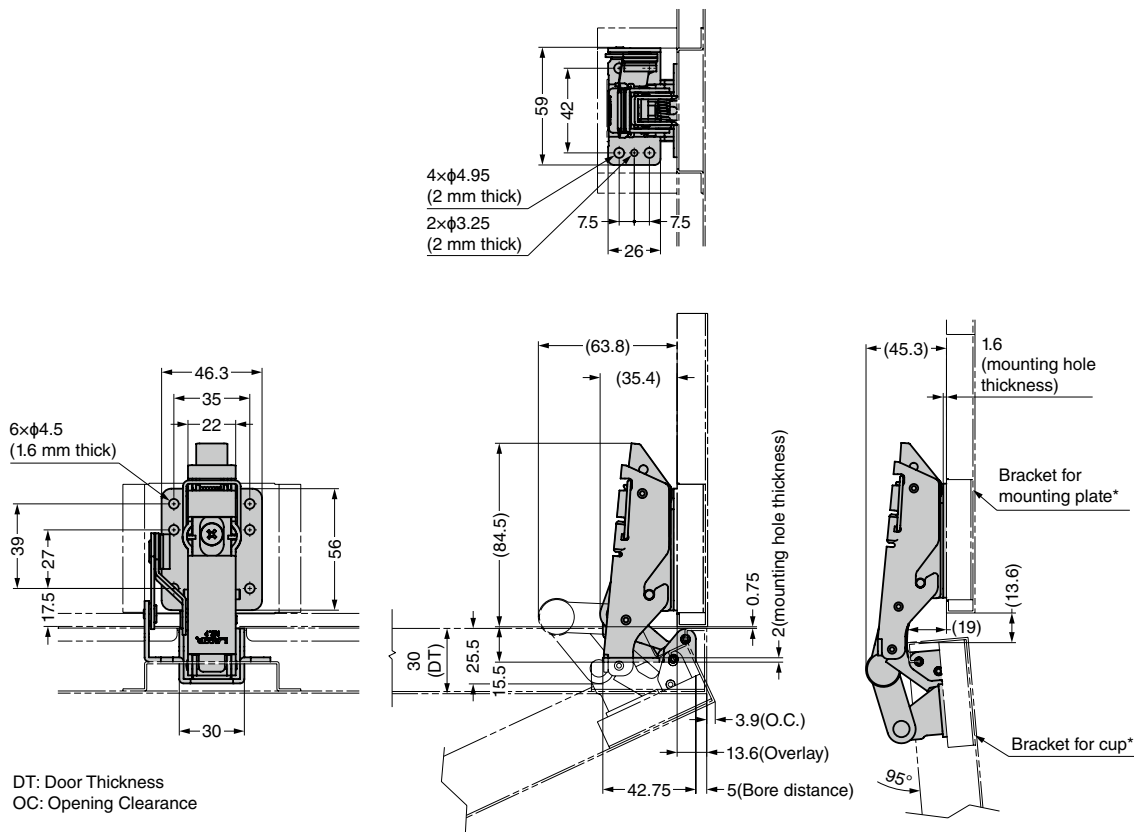


Although the torque will be released to prevent "spring-back" at a nearly closed angle, the door will not be firmly kept closed. If detent function is needed, please use with catches.

[Example Door Spec]

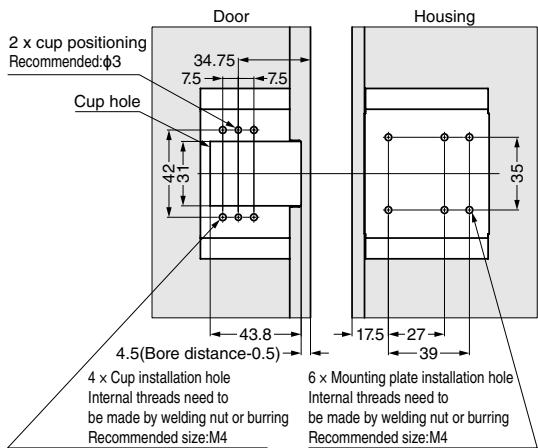


- Height : Max. 810 mm
- Width : Max. 474 mm
- Thickness : Max. 92 mm
- Weight : Max. 20 kg
- * 2 hinges used



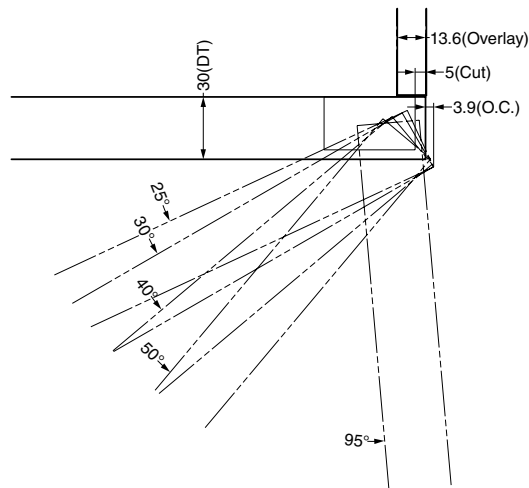
* Please prepare "Bracket for mounting plate" and "Bracket for cup" by yourself.

[Cut Out Dimensions]



The drawing shows the installation position in the conditions below:
 - Bore distance : 5 mm
 - Door thickness : 30 mm
 - Overlay : 13.6 mm

[Locus Chart]



Reference door weight: 20 kg
 (In case of door size W450 x H800, pitch 550, vertical use)

[Hinge Body]

RoHS	CAD	Item Code	Item Name	Main Material	Finish	Weight (g)	Box (pcs)
●	●	160-046-391	H95TSH-F	Steel	Nickel	180	60

[Mounting Plate] Sold Separately

RoHS	CAD	Item Code	Item Name	Main Material	Finish	Weight (g)	Box (pcs)
●	●	160-073-591	H95TSZ	Steel	Nickel	94	100